



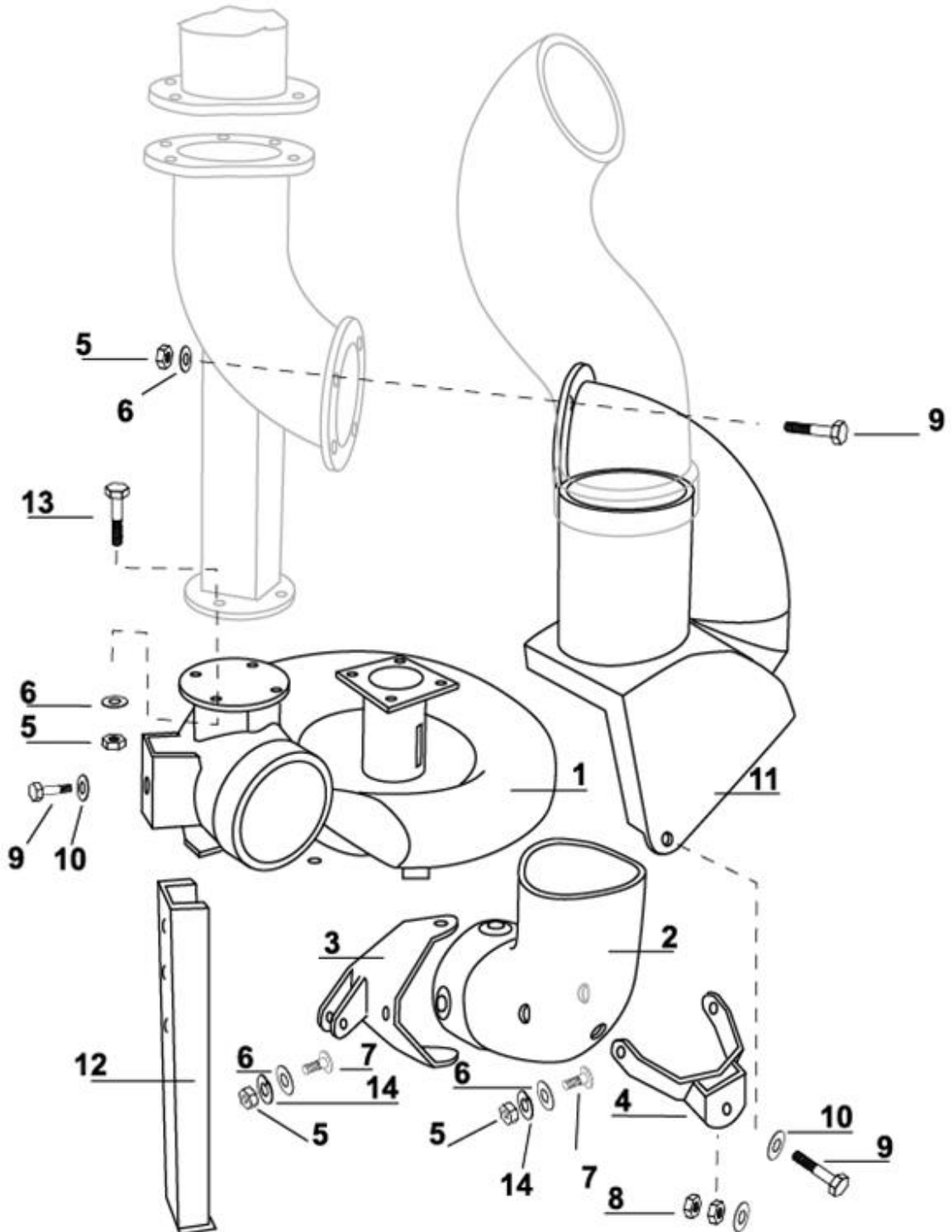
Spare parts catalogue

# DUUN

## Slurry pump SP400

Pump housing, support leg

Edition: 0703





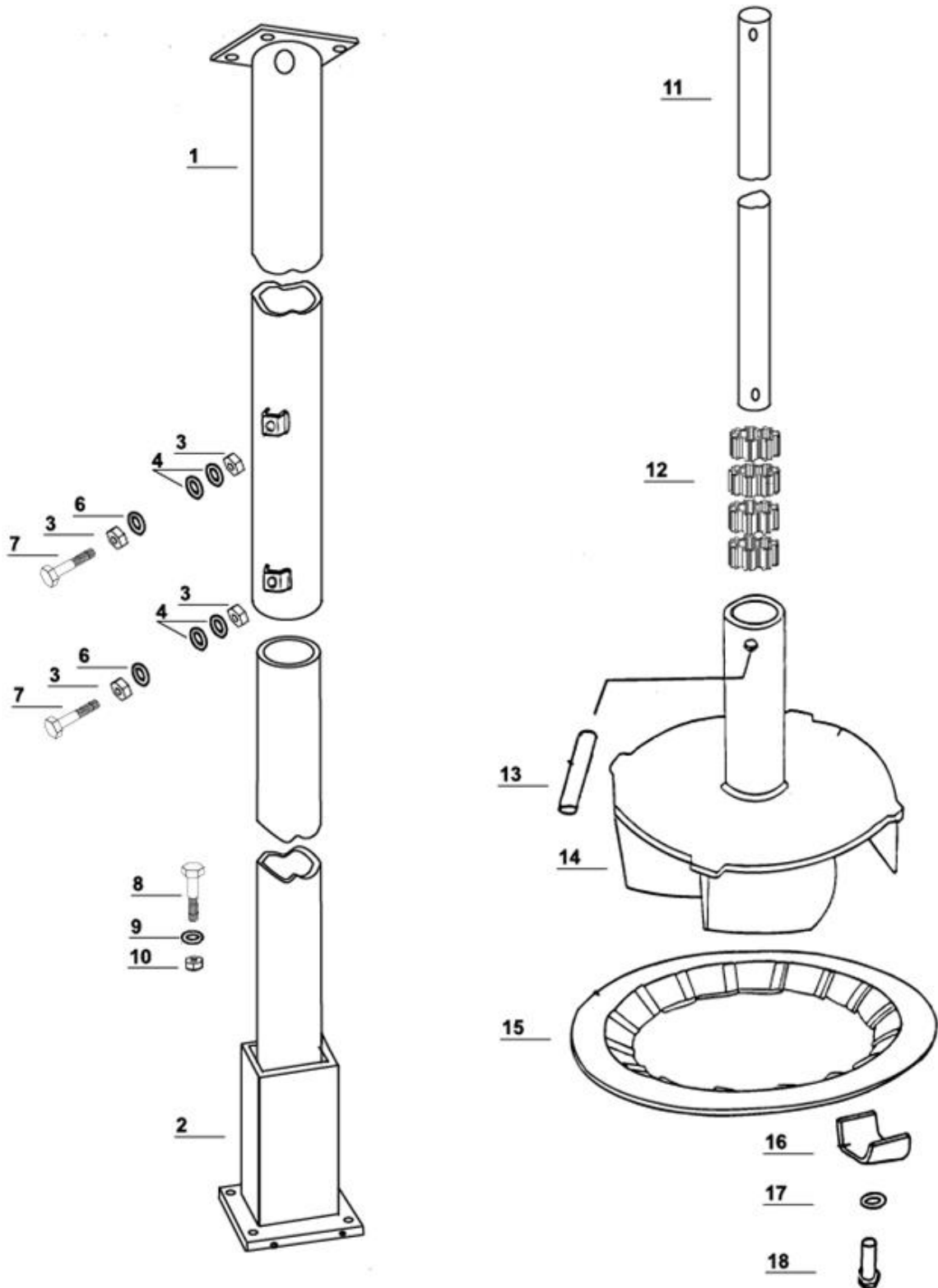
Spare parts catalogue

# DUUN

## Slurry pump SP400

	Pump housing, support leg	Edition: 0703
--	---------------------------	---------------

Pos.no.	Qty.	Designation	Article no.	Comment
1	1	Pump housing SP400	1312430	
2	1	Outlet bend	2245097	
3	1	Attachment for struts, stirring/loading	1312442	
4	1	Rotation attachment for bends	1312443	
5	10	Nut M10 hot galvanized	2281810	
6	10	Washer M10 hot galvanized	2539060	
7	6	Locking head screw M10x30	2444312	
8	2	Nut M 16 hot galvanized	2481813	
9	2	Hex screw M12x35 hot galvanized	2427350	
10	3	Washer M12 hot galvanized	2539069	
11	1	Shift box	1312434	
12	1	Support leg	1311803	
13	8	Hex screw M12x30 hot galvanized	2427299	
14	6	Spring washer M10 hot galvanized	2539000	
15		Washer M12 hot galvanized	2531069	





Spare parts catalogue

# DUUN

## Slurry pump SP400

Drive tain and impeller

Edition: 0703

Pos.no.	Qty.	Designation	Article no.	Comment
1	1	Upper cover pipe for shaft	1311807	
2	1	Lower cover tube for shaft	1312279	
3	4	Hexagon nut M10 acid ref.	2489410	
4	8	Plastic washer w/collar Ø11,9/10,2	2245015	
6	2	Washer M10 acid ref.	2537060	
7	2	Hex screw M10x40 acid ref.	2429303	
8	4	Hex screw M10x30 hot galvanized	2427299	
9	4	Washer M10 hot galvanized	2539060	
10	4	Hex nut M10 hot galvanized	2481810	
11	1	Drive shaft Ø40 L- 3,4 m	1312553	
		Drive shaft Ø40 L- 3,9 m	1312554	
		Drive shaft Ø40 L- 4,4 m	1312555	
12	4	Bearings for impeller	2245028	
13	1	Break pin Ø12x60	2527124	
14	1	Impeller	1311814	
	1	Impeller w/high performance	1312564	
15	1	Cutting ring	1311815	
16	4	Clamp iron	1311904	
17	4	Washer M12 hot galvanized	2539069	
18	4	Hex screw M12x35 hot galvanized	2427350	



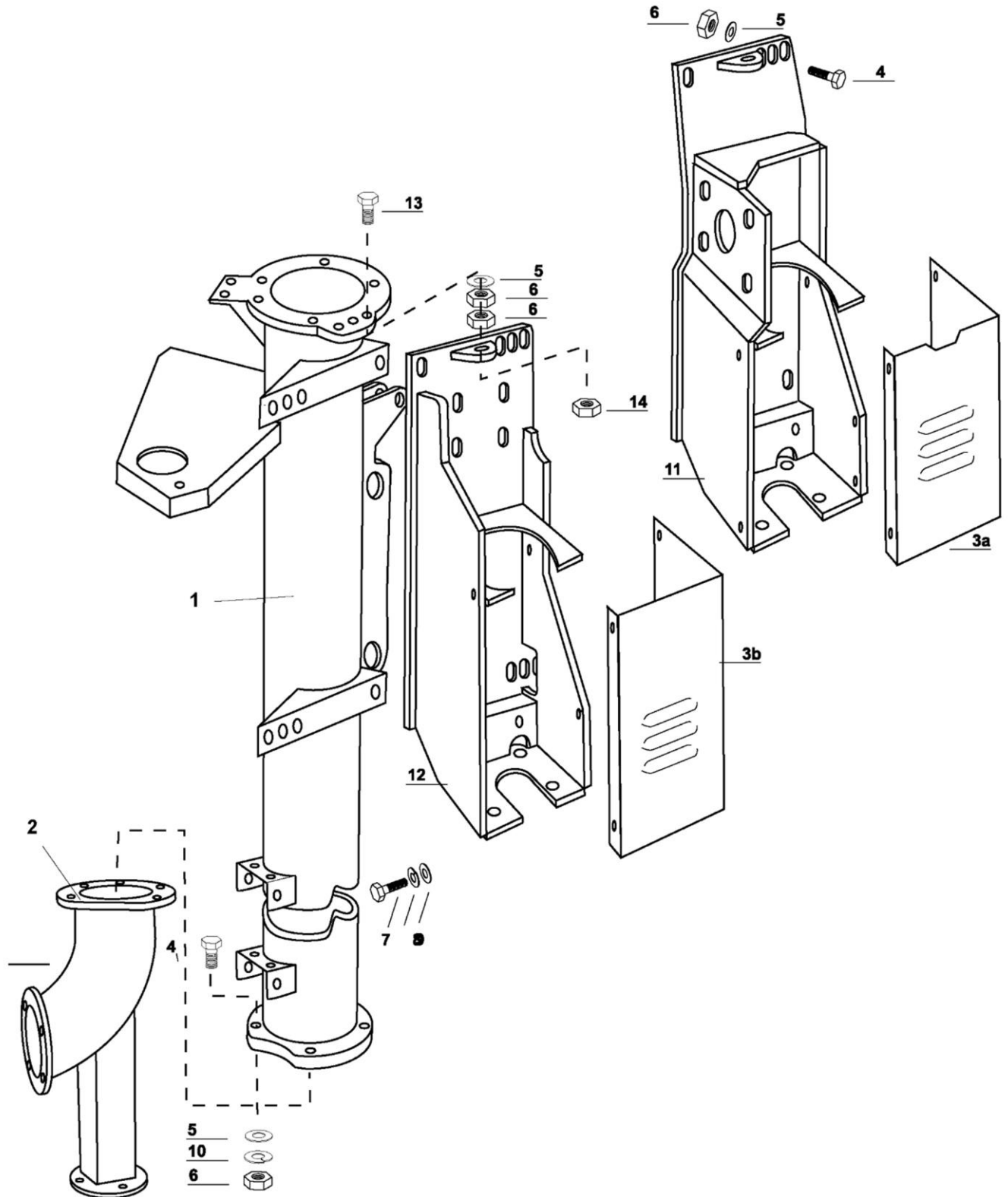
Spare parts catalogue

# DUUN

## Slurry pump SP400

Pump stem and gearbox holder

Edition: 0703





Spare parts catalogue

# DUUN

## Slurry pump SP400

Pump stem and gearbox holder
------------------------------

Edition: 0703
---------------

Pos.no.	Qty.	Designation	Article no.	Comment
1	1	Pump stem	1312431	
2	1	The lower loader tube L-3,4 m	1312559	
	1	The lower loader tube L-3,9 m	1312558	
	1	The lower loader tube L-4,4 m	1312433	
3a	1	Universal cover	1312436	
3b	1	Combi/rod cover	1312557	
4	10	Hexagon screw M16x50 hot galvanized	2427493	
5	11	Washer M 16 hot galvanized	2539078	
6	12	Hexagon nut M 16 hot galvanized	2481813	
7	4	Hexagon screw M8x16 hot galvanized	2427240	
8	4	Spring washer M8 hot galvanized	2534047	
9	4	Washer M8 hot galvanized	2539048	
10	6	Spring washer M16 hot galvanized	2539006	
11	1	Gearbox case universal	1312435	
12	1	Gearbox case combi / rod	1312290	
13	1	Hexagon screw M16x110 galvanized	2425503	
14	1	Hexagon nut M16 lock. galvanized	2483613	



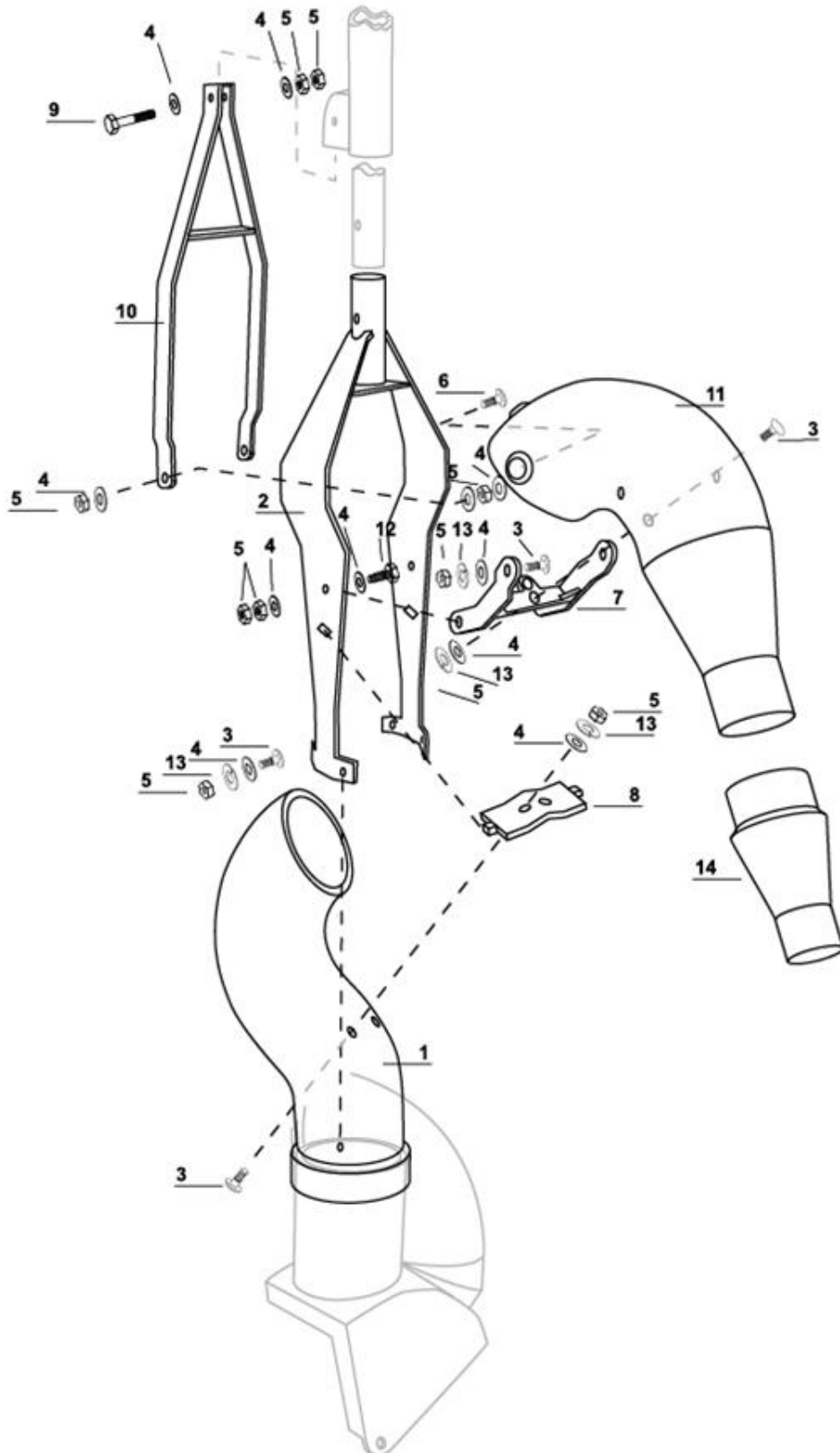
Spare parts catalogue

# DUUN

## Slurry pump SP400

Agitator parts

Edition: 0703







Spare parts catalogue

**DUUN**

**Slurry pump SP400**

Agitator parts

Edition: 0703

Pos.no.	Qty.	Designation	Article no.	Comment
1	1	Lower stirring tube	2245095	
2	1	Operating part, rotation	1312447	
3	9	Locking head screw M 10x30 hot galvanized	2444312	
4	21	Washer M 10 hot galvanized	2539060	
5	19	Hexagon nut M 10 hot galvanized	2481810	
6	1	Locking head screw M 10x45 hot galvanized	2444315	
7	1	Attachment for nozzle bend	1312449	
8	1	Bracing	1312441	
9	1	Hexagon screw M10x70 hot galvanized	2427312	
10	1	Height adjustment fork	1312448	
11	1	Nozzle bend	2245096	
12	2	Hexagon screw M10x35 hot galvanized	2427301	
13	9	Spring washer M10 hot galvanized	2539000	
14	1	Nozzle Ø115 mm	2245098	

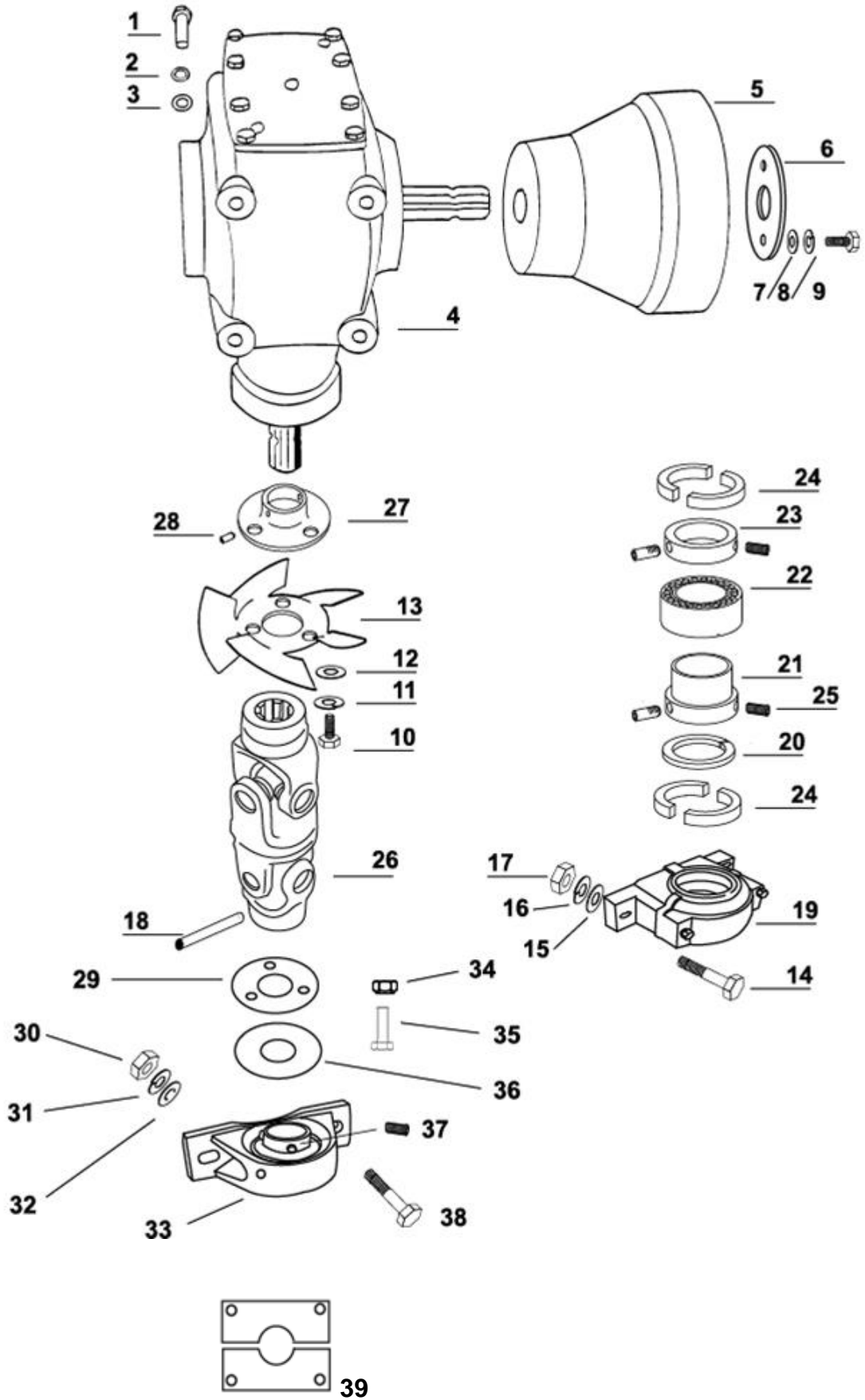


# DUUN

## Slurry pump SP400

Gearbox couplings and bearings

Edition: 0205





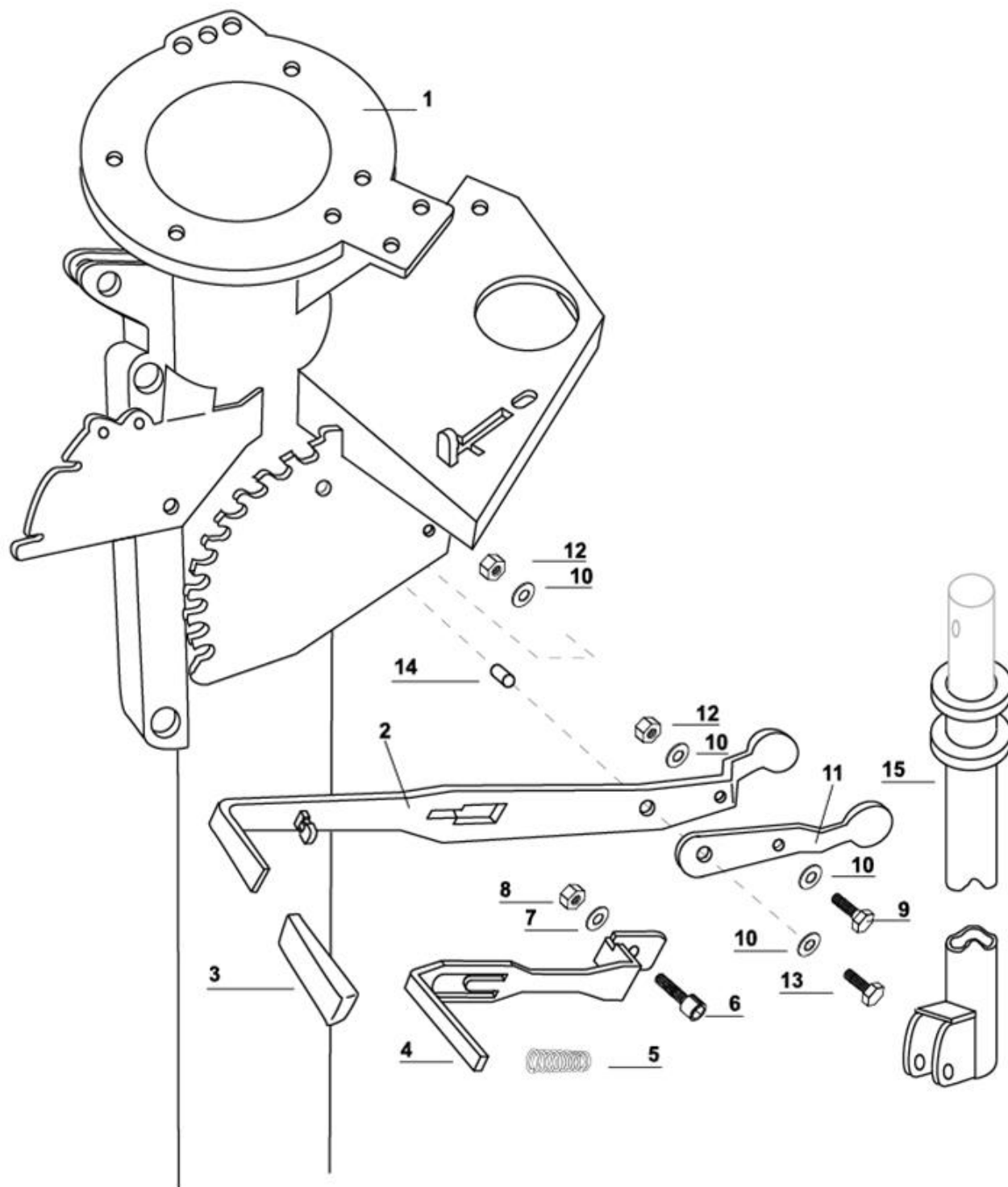
Spare parts catalogue

**DUUN****Slurry pump SP400**

Gearbox couplings and bearings

Edition: 0703

Pos.no.	Qty.	Designation	Article no.	Comment
1	4	Hexagon screw M16x30 hot galvanized	2427485	
2	8	Spring washer M16 galvanized	2534078	
3	8	Washer M16 hot galvanized	2539078	
4	1	Gearbox 1:2,42 90gr. Comer	2961121	
4	1	Gearbox 1:1,60 90 gr. Comer	2961123	for SP400 no. 1312503+-505
5	1	Protection funnel	2962135	
5	1	Large, oval protective funnel	2962136	
6	1	Fixing washer Ø125	1312379	
7	2	Washer M8 hot galvanized	2539048	
8	2	Spring washer M8 galvanized	2534047	
9	2	Hexagon screw M8x25 hot galvanized	2427246	
10	3	Hexagon screw M6x10 galvanized	2422196	
11	3	Spring washer M6 galvanized	2534039	
12	3	Washer M6 galvanized	2531039	
12	3	Fan	1311848	
14	2	Hexagon screw M12x60 galvanized	2422359	to 04040
15	2	Spring washer M12 galvanized	2534069	to 04040
16	5	Washer M12 hot galvanized	2539069	
17	2	Hexagon nut M 12 hot galvanized	2481811	to 04040
18	1	Lock pin Ø13x70	2527130	
19	1	Bearing SNU 509	2954201	
20	1	Steering ring SR 85/7	2954203	to 04040
21	1	Lock sleeve for bearing	1312457	to 04040
22	1	Spherical roller bearing	2954200	to 04040
23	1	Lock washer	1312458	to 04040
24	2	Bearing seal U509.	2954202	to 04040
25	4	Unbraco M8x12	2473236	to 04040
26	1	Double joint, type 50 (unbalanced)	2962160	
27	1	Attachment for fan	1312013	
28	2	Unbraco M6x8	2473195	
29	1	Plate for adjustment	1312014	from 05001
30	2	v m14 8.8 galvanized	2483612	from 05001
31	1	Washer m14 galvanized (one on each side of stock, pos.31+32)	2531072	from 05001
32	1	Washer m14 galvanized	2531072	from 05001
33	1	Leg bearing UCP 308 40mm	2954220	from 05001
34	3	Nut 6kt Mech.lock.schem.gr.gj.M10	2489610	from 05001
35	3	Screw 6kt m10x40 8.8 galvanized	2425303	from 05001
36	1	Plate against flange bearing	1312015	from 05001
37	2	Unbraco set screw m10x12	2473286	from 05001
38	2	Screw 6kt m14x50 8.8 galvanized	2422402	from 05001
39	2	Sealing plate	1311852	
		Gearolje Mereta 150/220	5310110	





Spare parts catalogue

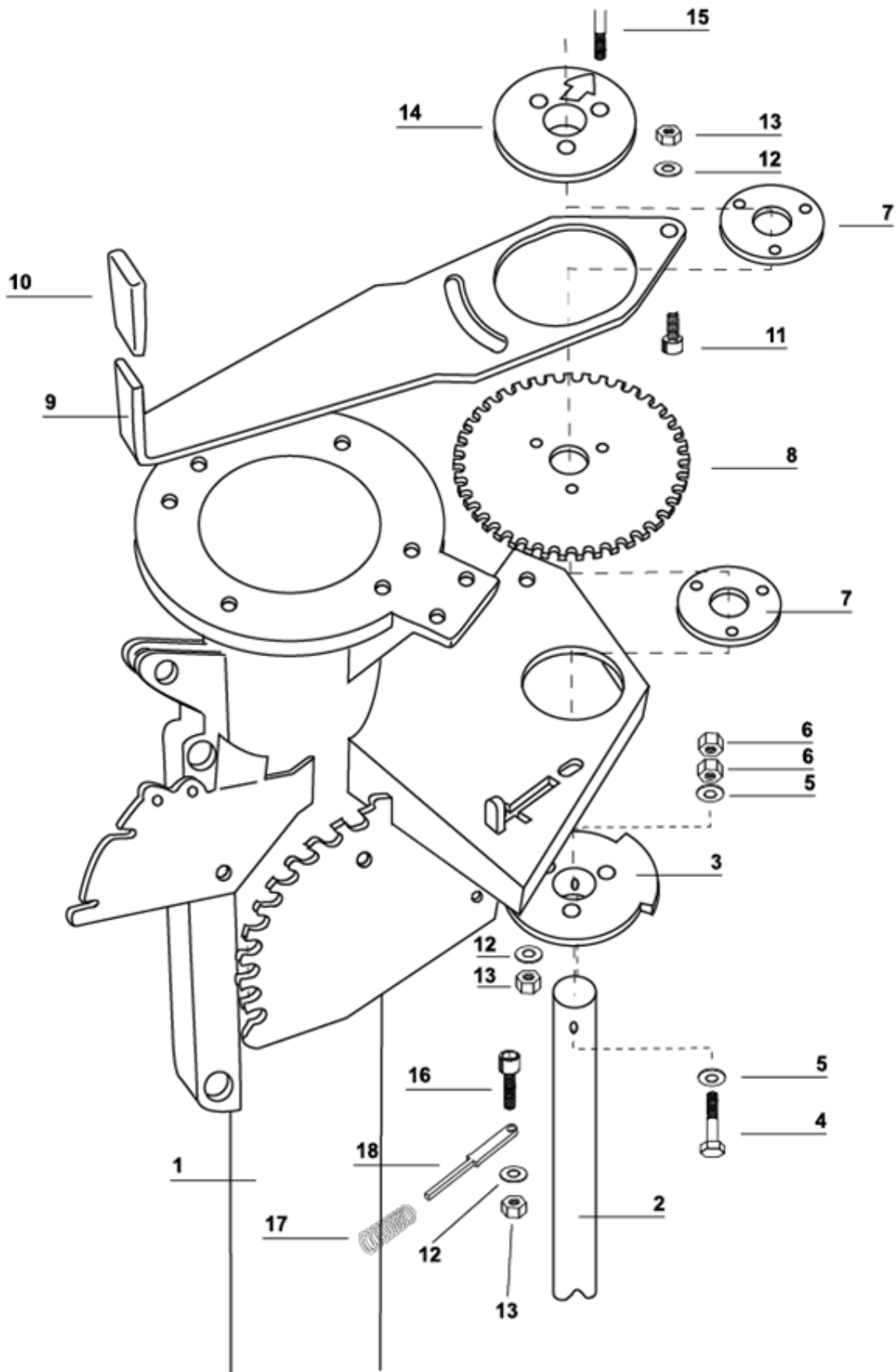
**DUUN**

**Slurry pump SP400**

Height maneuvering of the nozzle

Edition: 0702

Pos.no.	Qty.	Designation	Article no.	Comment
1	1	Pump stem	1312431	
2	1	Handle, height man. of nozzle	1312446	
3	1	Plastic handle	2245062	
4	1	Locking handle	1312444	
5	1	Spring pressure Ø15x1,75 L:45	2912014	
6	1	Unbraco M 8x16, galvanized	2472310	
7	1	Washer M8 hot galvanized	2539048	
8	1	Hexagon nut M8 lock. galvanized	2483609	
9	1	Hexagon screw M10x30 hot galvanized	2427299	
10	1	Washer M10 hot galvanized	2539060	
11	1	Part for operating fork	1312445	
12	2	Hexagon nut M10 lock. galvanized	2483610	
13	1	Hexagon screw M10x35 hot galvanized	2428310	
14	1	Bushing	1312556	
15	1	Tube for height regulation L-3,4	1312273	
	1	Tube for height regulation L-3,9	1312274	
	1	Tube for height regulation L-4,4	1312275	





Spare parts catalogue

# DUUN

## Slurry pump SP400

Side maneuvering of the nozzle

Edition: 0703

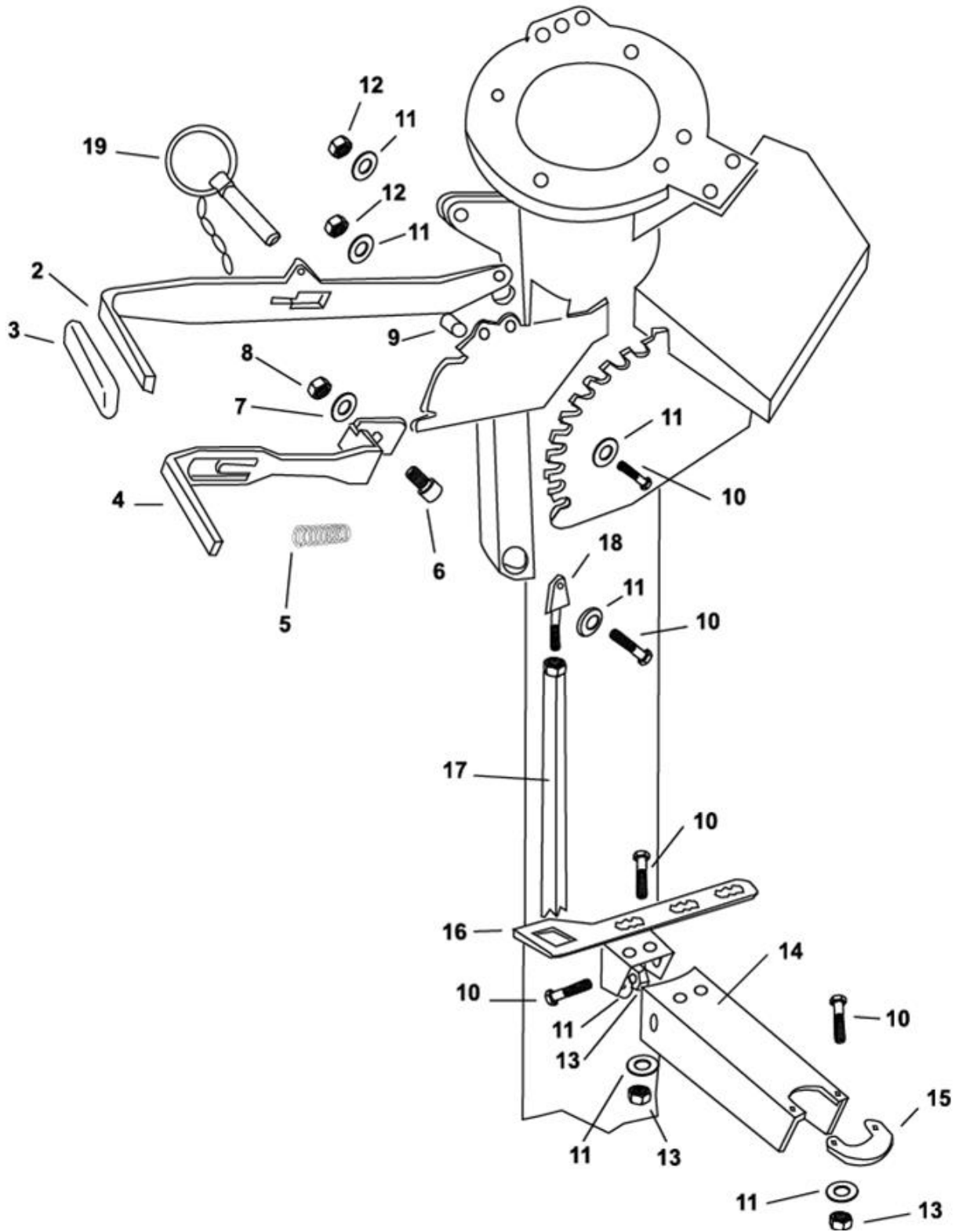
Pos.no.	Qty.	Designation	Article no.	Comment
1	1	Pump stem	1312431	
2	2	Strut for rotation L-3,4	1312276	
	1	Strut for rotation L-3,9	1312277	
	1	Strut for rotation L-4,4	1312278	
3	1	Rotation attachment for strut	1312340	
4	1	Hexagon screw M10x70 hot galvanized	2427312	
5	2	Washer M10 hot galvanized	2539060	
6	2	Hexagon nut M10 hot galvanized	2481810	
7	2	Spacer plate	1312343	
8	1	Cog wheel	1312344	
9	1	Handle for regulating rotation	1312341	
10	1	Plastic handle	2245062	
11	1	Unbraco M 8x16, galvanized	2472310	
12	5	Washer M8 hot galvanized	2539048	
13	5	Hexagon nut M8 lock. galvanized	2483609	
14	1	Rotation direction indicator	1312342	
15	3	Hexagon screw M8x50 hot galvanized	2427256	
16	1	Unbraco M 8x25, galvanized	2472315	
17	1	Spring pressure Ø15x1,75 L:45	2912014	
18	1	Lock pin rotation	1312345	

# DUUN

## Slurry pump SP400

Loading/stirring

Edition: 0703







Spare parts catalogue

**DUUN****Slurry pump SP400**

Loading/stirring

Edition: 0703

Pos.no.	Qty.	Designation	Article no.	Comment
1	1	Pump stem	1312431	
2	1	Handle, loading/ stirring	1312440	
3	1	Plastic handle	2245062	
4	1	Locking handle	1312444	
5	1	Spring pressure Ø15x1,75 L:45	2912014	
6	1	Unbraco M 8x16, galvanized	2472310	
7	1	Washer M8 hot galvanized	2539048	
8	1	Hexagon nut M8 lock. galvanized	2483609	
9	1	Bushing	1311880	
10	1	Hexagon screw M10x30 hot galvanized	2427299	
11	10	Washer M10 hot galvanized	2539060	
12	2	Hexagon nut M10 lock. galvanized	2483610	
13	6	Hexagon nut M10 hot galvanized	2481810	
14	1	Support for strut (L- 3,4 og L-4,4)	1312383	
	1	Support for strut (L- 3,9)	1312560	
15	1	Locking plate for strut	1312381	
16	1	Steering for strut	1312382	
17	1	Strut, loading/stirring L-3,4	1312550	
	1	Strut, loading/stirring L-3,9	1312551	
	1	Strut, loading/stirring L-4,4	1312552	
18	1	Adjustment screw for strut	13127025	
19	1	Locking pin w/chain, 10x45	2556127	



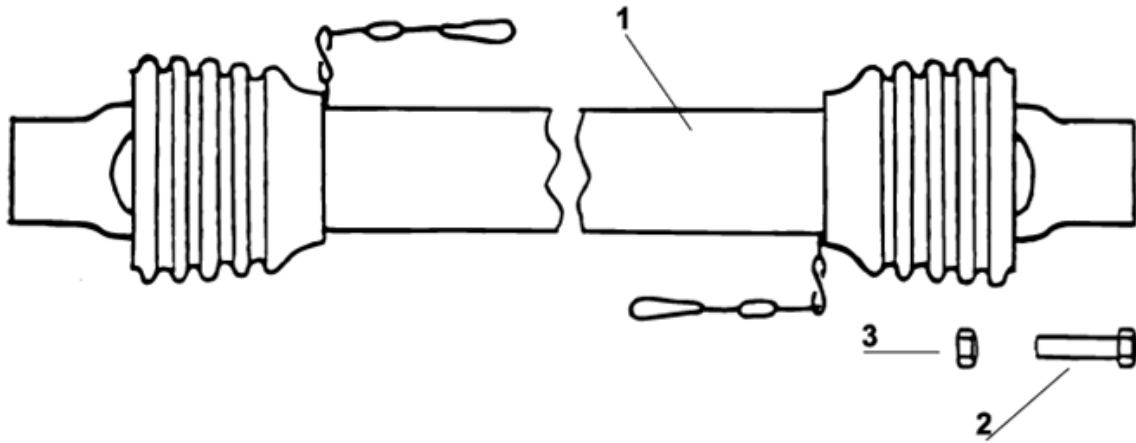
Spare parts catalogue

# DUUN

## Slurry pump SP400

Power transmission shaft rod pump

Edition: 0703





Spare parts catalogue

**DUUN**

**Slurry pump SP400**

	Power transmission shaft rod pump	Edition: 0703
--	-----------------------------------	---------------

Pos.no.	Qty.	Designation	Article no.	Comment
1	1	Power transmission shaft L=1410 w/cutt.b	2962149	
2	1	Hexagon screw M10x60 qual. 8.8	2422310	
3	1	Hexagon nut M10 qual.8.8	2481610	



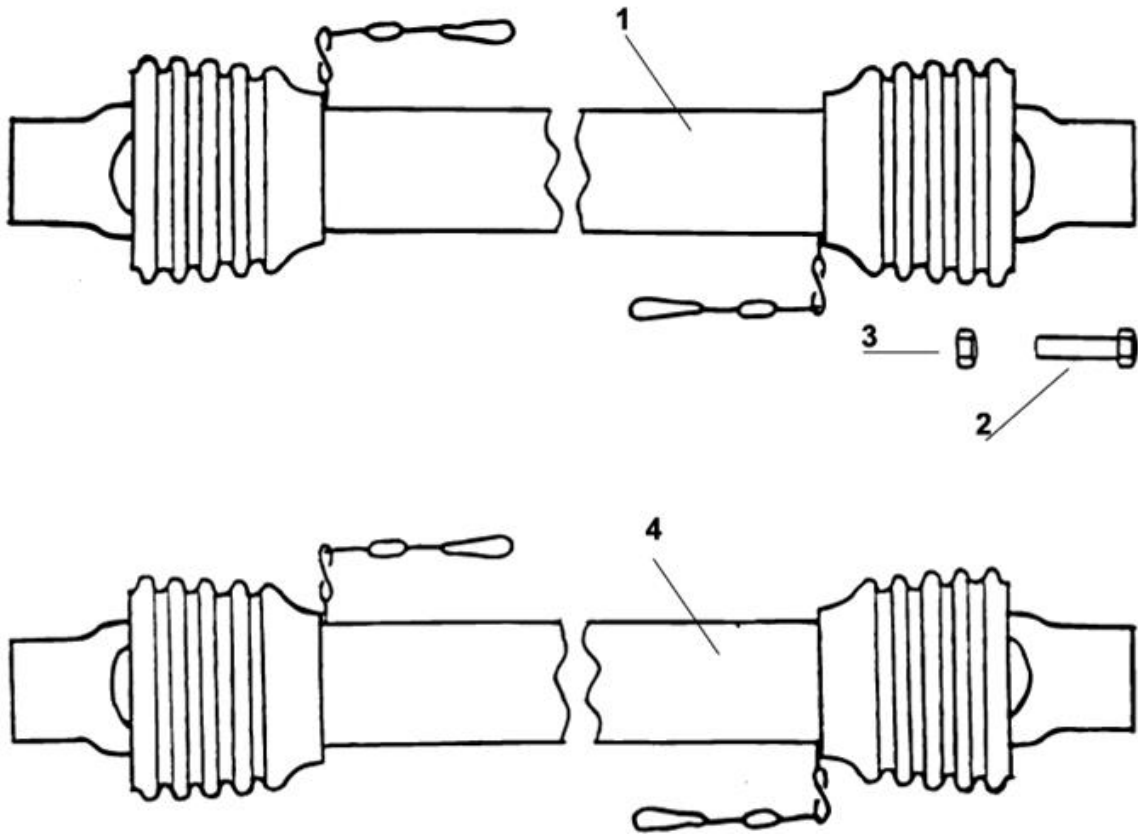
Spare parts catalogue

# DUUN

## Slurry pump SP400

Power transmission shaft combined pump

Edition: 0703





Spare parts catalogue

**DUUN**

**Slurry pump SP400**

	Power transmission shaft combined pump	Edition: 0703
--	--	---------------

Pos.no.	Qty.	Designation	Article no.	Comment
1	1	Power transmission shaft L=860 w/cutt.b.	2962151	to 2009
1	1	Power transmission shaft 1010 without/ cutt.b.T60	2962165	from 2009
2	1	Hexagon screw M10x60 qval. 8.8	2422310	
3	1	Hexagon nut M10 qval.8.8	2481610	
4	1	Power transmission shaft L=1410 without/cutt.b.	2962150	to 2009
4	1	Power transmission shaft 1410 w/cutt.b.AB6	2962149	from 2009



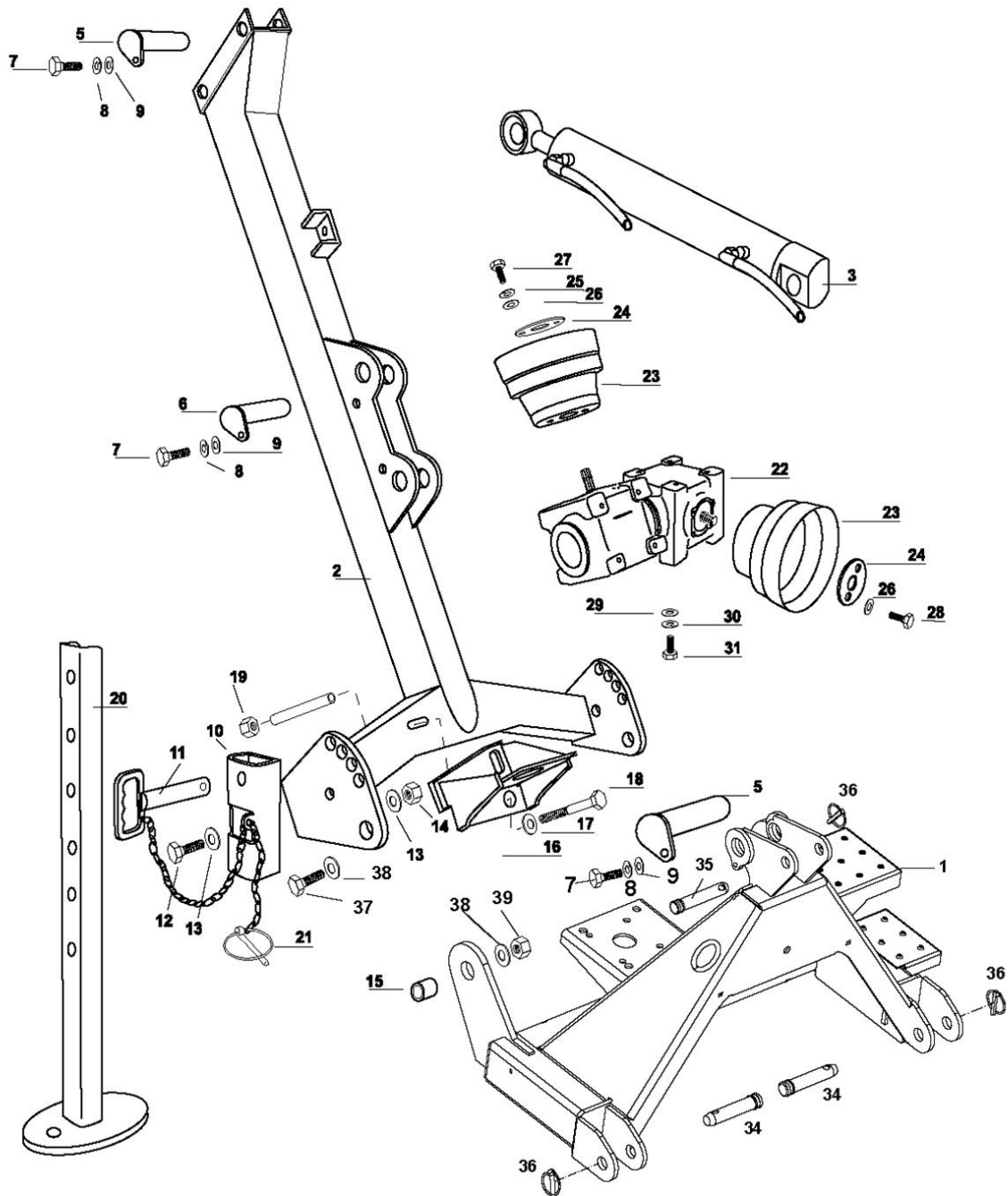
Spare parts catalogue

# DUUN

## Slurry pump SP400

Tractor attached combi pump

Edition: 0703





Spare parts catalogue

**DUUN****Slurry pump SP400**

Tractor attached combi pump

Edition: 0703

Pos.no.	Qty.	Designation	Article no.	Comment
1	1	Three-point linkage	13127001	
1	1	Three-point linkage	1312284	replaced by 1312700
2	1	Pump attachment	1312291	
3	1	Hydraulic cylinder for combi pump	1312364	
5	3	Bolt for cylinder/strut with three-point linkage	1312365	
6	1	Bolt for cylinder/strut at boom	1312292	
7	2	Hexagon screw M10x20 galvanized	2422295	
8	2	Spring washer M10 galvanized	2534060	
9	2	Washer M10 galvanized	2531060	
10	2	Holder for support leg	1311942	
11	2	Adjustment bolt for support leg	1311944	
12	4	Hexagon screw M16x60 galvanized	2422495	
13	4	Washer M16 galvanized	2531078	
14	4	Hexagon nut M 16 locking, galvanized	2483613	
15	2	Bushing	1312288	
16	1	Support bracket for gearbox	1312295	
17	2	Washer M12 galvanized	2531069	
18	1	Hexagon screw M12x180 galvanized	2422372	
19	1	Hexagon nut M 12 locking, galvanized	2483611	
20	2	Support leg	1312497	
21	2	Locking pin w/chain	2556127	
22	1	Gearbox, 1:1Comer	2961180	
22	1	Gearbox, 1:1Comer	2961183	from 01001
22	1	Gearbox, 1:1,35 Comer	2961182	for SP400 1312503+
			1312505	
23	2	Protection funnel	2962135	
24	2	Fixing washer	1312379	
25	2	Spring washer M8 galvanized	2534047	
26	4	Washer M8 hot galvanized	2531047	
27	2	Hexagon screw M8x25 hot galvanized	2427246	
28	2	Hexagon screw M8x16 hot galvanized	2427240	
29	4	Washer M16 galvanized	2531078	
30	4	Spring washer M16 galvanized	2534078	
31	4	Hexagon screw M16x40 galvanized	2422489	
32	4	Washer, Ø22/Ø60	1312287	
33	1	Spacer tube	1312294	
34	2	Drawbar bolt cat.II 28X95	2551730	
35	1	Top strut bolt cat.II 25,4X103mm	2526326	
36	3	Linch pin Ø10x50mm (locking pin)	2556143	
37	2	Screev 6kt m20x65 8.8 galvanized	2422578	
38	4	Washer m20 galvanized	2531086	
39	2	Locking nut m20 8.8 galvanized	2483615	



Spare parts catalogue

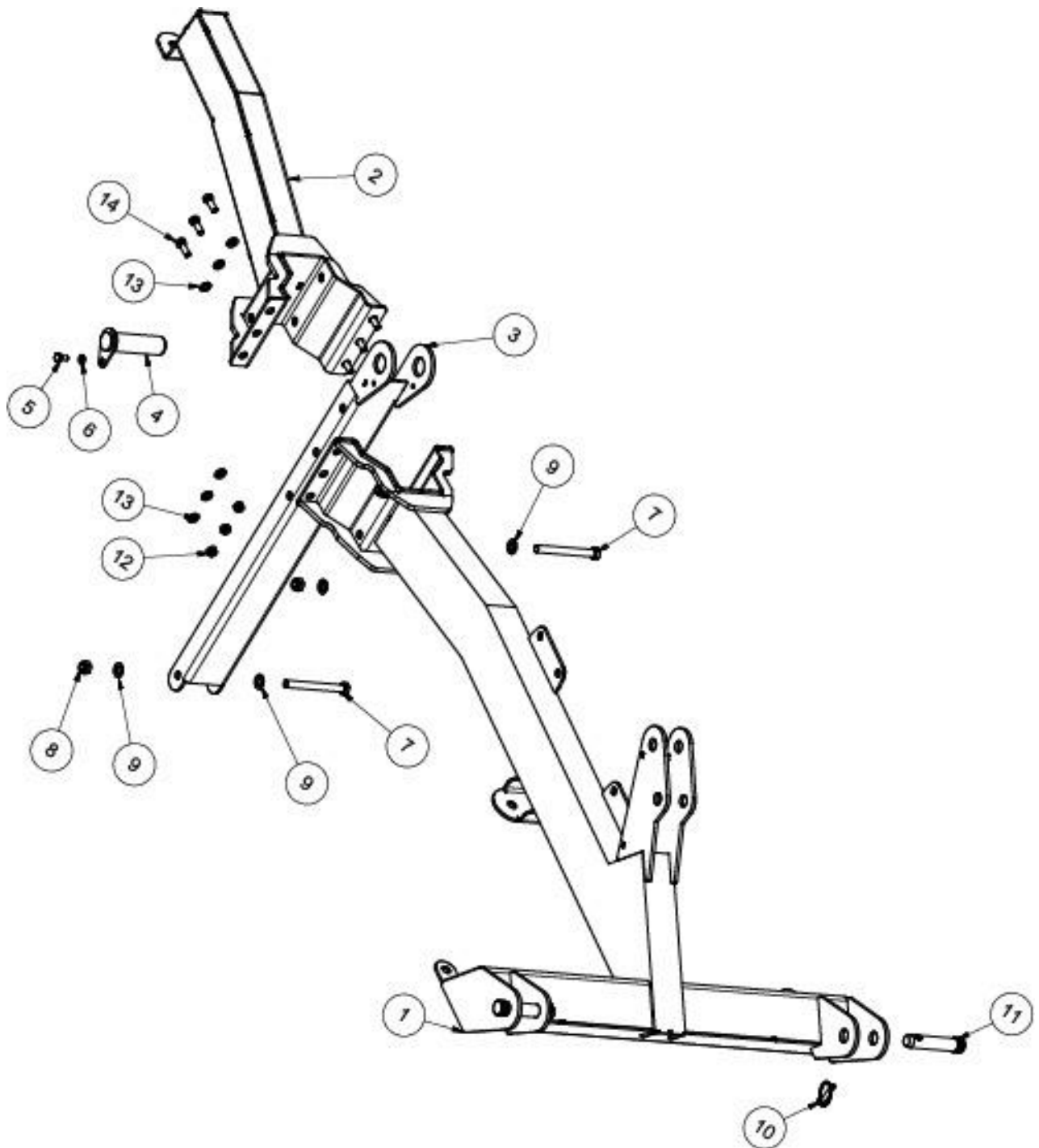
# DUUN

## Slurry pump SP400

Group: 131-

Tractor attachment

Edition: 06.2011







Spare parts catalogue

# DUUN

## Slurry pump SP400

Group: 131-	Tractor attachment	Edition: 06.2011
-------------	--------------------	------------------

Pos.no.	Qty.	Article no.	Designation	Comment
1	1	13127021	Three-point linkage SP400, Rod	
2	1	13127024	Support arm SP400	
3	1	1312563	Support rail	
4	1	1312365	Bolt for cylindre strut, three-point linkage	
5	1	2422295	Hexagon screw M10x20 EIZn 8.8 DIN 933	
6	1	2531060	Washer M10 EIZn DIN 125	
7	3	2422507	Hexagon screw M16x150 EIZn 8.8 DIN 931	
8	3	2483613	Locking nut M16 EIZn DIN 985	
9	6	2531078	Washer M16 EIZn DIN 125	
10	2	2556143	Locking pin Ø10x50	
11	2	2551730	Drawbar bolt cat.2 Ø28x95	
12	6	2483611	Locking nut M12 EIZn DIN 985	
13	12	2531069	Washer M12 EIZn DIN 125	
14	6	2422350	Hexagon screw M12x35 EIZn 8.8 DIN 933	



Spare parts catalogue

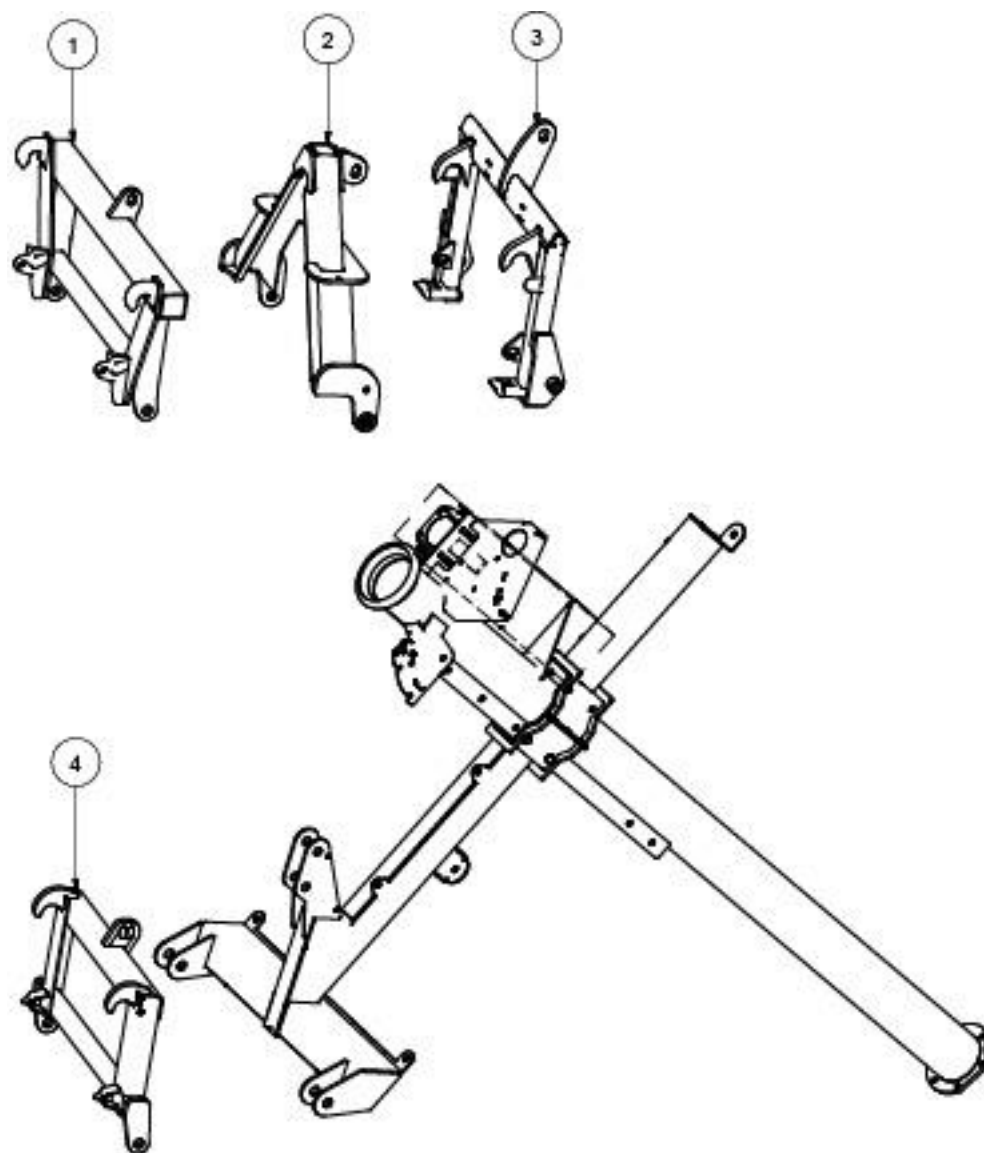
# DUUN

## Slurry pump SP400

Group: 131-

Utensil fastening

Edition: 06.2011





Spare parts catalogue

**DUUN**

**Slurry pump SP400**

Group: 131-	Utensil fastening	Edition: 06.2011
-------------	-------------------	------------------

Pos.no.	Qty.	Article no.	Designation	Comment
1	1	1261516	Utensil fastening EURO front loader	
2	1	1252637	Utensil fastening Triangel	
3	1	1252638	Utensil fastening HVM	
4	1	1261515	Utensil fastening SMS Trima	



Spare parts catalogue

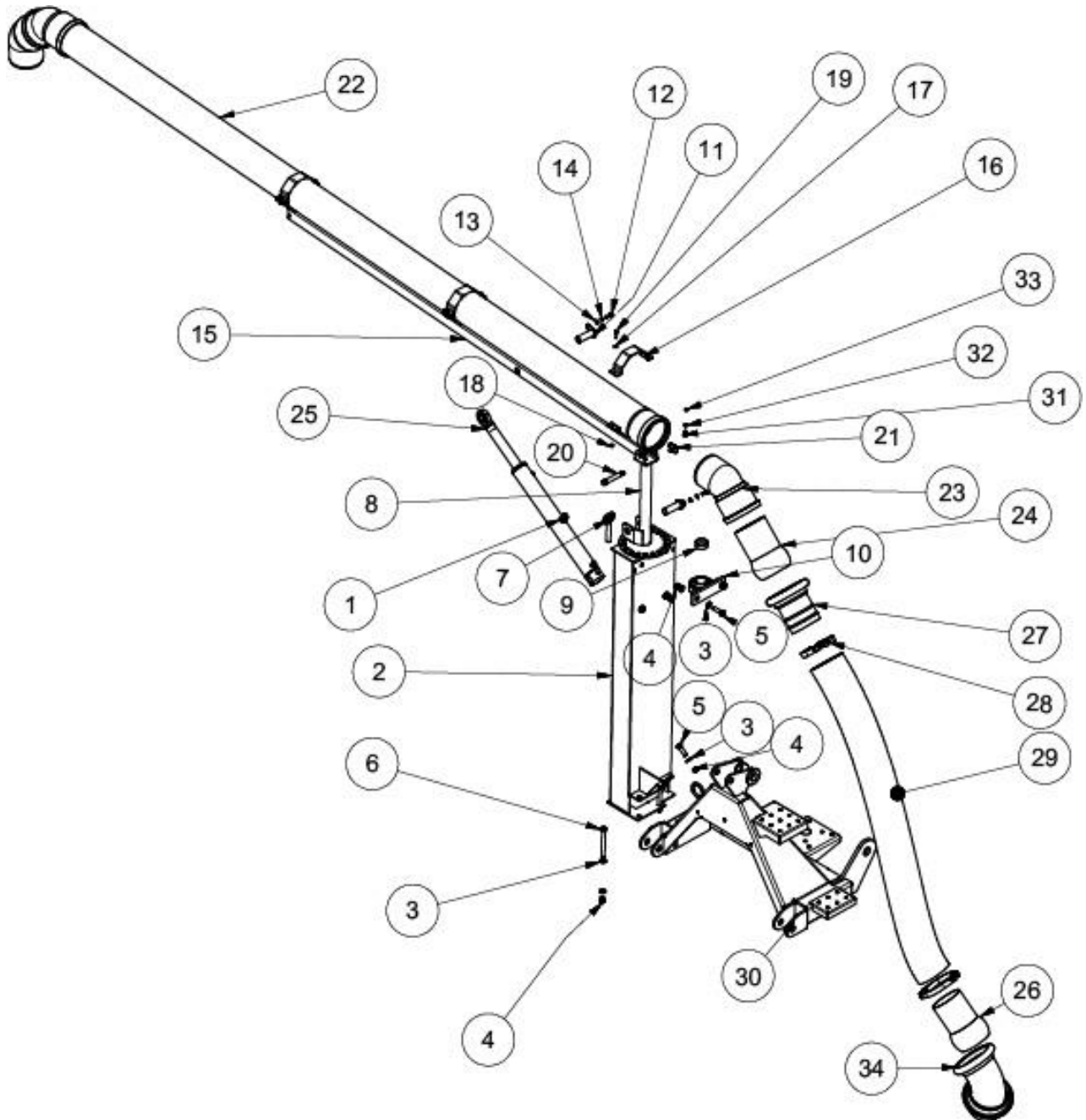
# DUUN

## Slurry pump SP400

Group: 131-

Side mounted loading system

Edition: 06.2011





Spare parts catalogue

**DUUN****Slurry pump SP400**

Group: 131-	Side mounted loading system	Edition: 06.2011
-------------	-----------------------------	------------------

Pos.no.	Qty.	Article no.	Designation	Comment
1	4	2245071	Plastic plug Ø40	
2	1	13127014	Frame	
3	14	2531078	Washer M16 EIZn DIN 125	
4	7	2483613	Locking nut M16 EIZn DIN 985	
5	5	2422493	Hexagon screw M16x50 EIZn 10.9 DIN 933	
6	2	2422507	Hexagon screw M16x150 EIZn 8.8 DIN 931	
7	1	13127009	Bolt f/locking rotation	
8	1	13127008	Rotation	
9	1	31271013	Spacer sleeve bearing	
10	2	2954206	Leg bearing UCP 210 50mm	
11	2	13127011	Bolt for cylinder	
12	2	2422297	Hexagon screw M10x25 EIZn 8.8 DIN 933	
13	2	2531060	Washer M10 EIZn DIN 125	
14	2	2534060	Spring washer M10 EIZn DIN 127	
15	1	13127010	Bracing PVC tube	
16	3	13127012	Clamps PVC tube	
17	12	2531047	Washer M8 EIZn DIN 125	
18	6	2483609	Locking nut M8 EIZn DIN 985	
19	6	2422248	Hexagon screw M8x30 EIZn 8.8 DIN 933	
20	1	2526320	Top strut bolt cat.1 Ø19x86	
21	1	2556143	Locking pin Ø10x50	
22	1	2244216	Pl.tube Ø 160mm m/1muf.L-4000mm	
23	3	2245080	Bend Ø 160mm 45gr.BLACK	
24	1	2957105	Bauer coupling 6"HA.kj.galv.Ø159mm	
25	1	2955365	Cylinder 65/45 SL480	
26	1	2957106	Bauer coupling 6"HA.kj.galv.Ø150mm	
26	1	2957109	Clamping ring for bauer connection	
27	1	2957107	Bauer coupling.6"HU.kj.galv.Ø150mm	
28	2	2544275	Hose clamp PA-RI - 170	
29	1	2244262	Hose 6" Spiral arm.L-3,15m	
30	1	13127001	Three point linkage SP200/400	
31	1	2441246	Locking screw M8x25 A4 DIN 603	
32	1	2537047	Washer M8 A4 DIN 125	
33	1	2489408	Hexagon nut M8 A4 DIN934	
34	1	1312020	60'bend w/6" bauer	



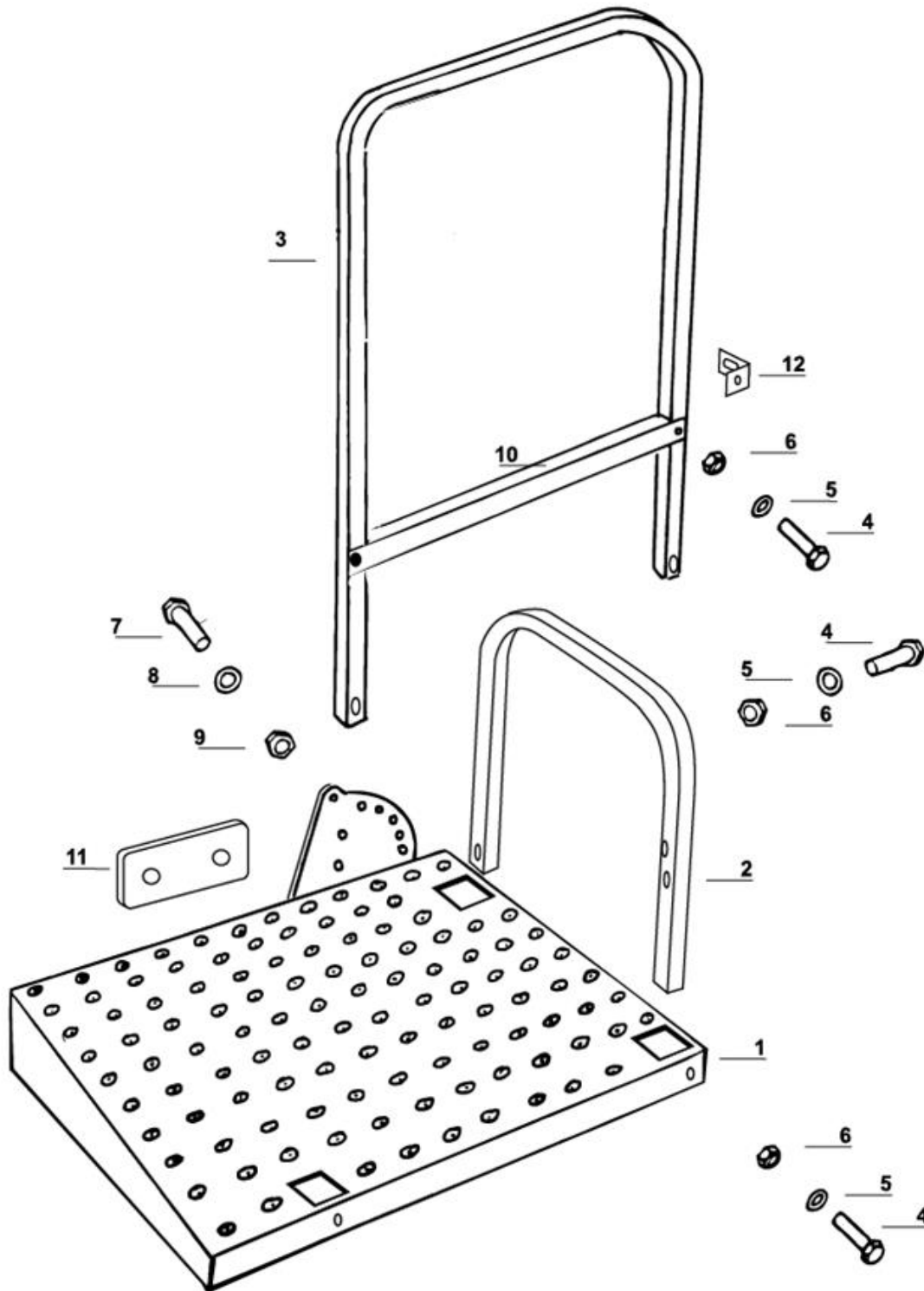
Spare parts catalogue

# DUUN

## Slurry pump SP400

Work platform

Edition: 0703



**DUUN****Slurry pump SP400**

	Work platform	Edition: 0703
--	---------------	---------------

Pos.no.	Qty.	Designation	Article no.	Comment.
1	1	Plattform	1312367	
2	1	Handrail, narrow	1312385	
3	1	Handrail, wide	1312378	
4	7	Hexagon screw M8x45 galvanized	2427254	
5	7	Washer M8 galvanized	2531047	
6	7	Hexagon nut lock. M8 galvanized	2483609	
7	1	Hexagon screw M16x60 galvanized	2422495	
8	1	Washer M16 galvanized	2531078	
9	1	Hexagon nut M16 lock. galvanized	2483613	
10	1	Handrail part	1312386	
11	1	Spacer plate	1312384	
12	1	Fastening for handrails	1311981	



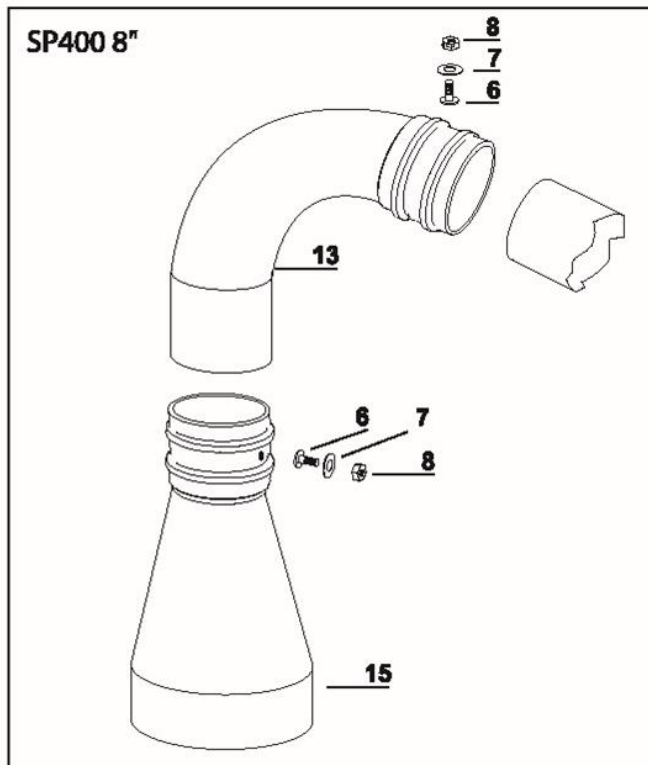
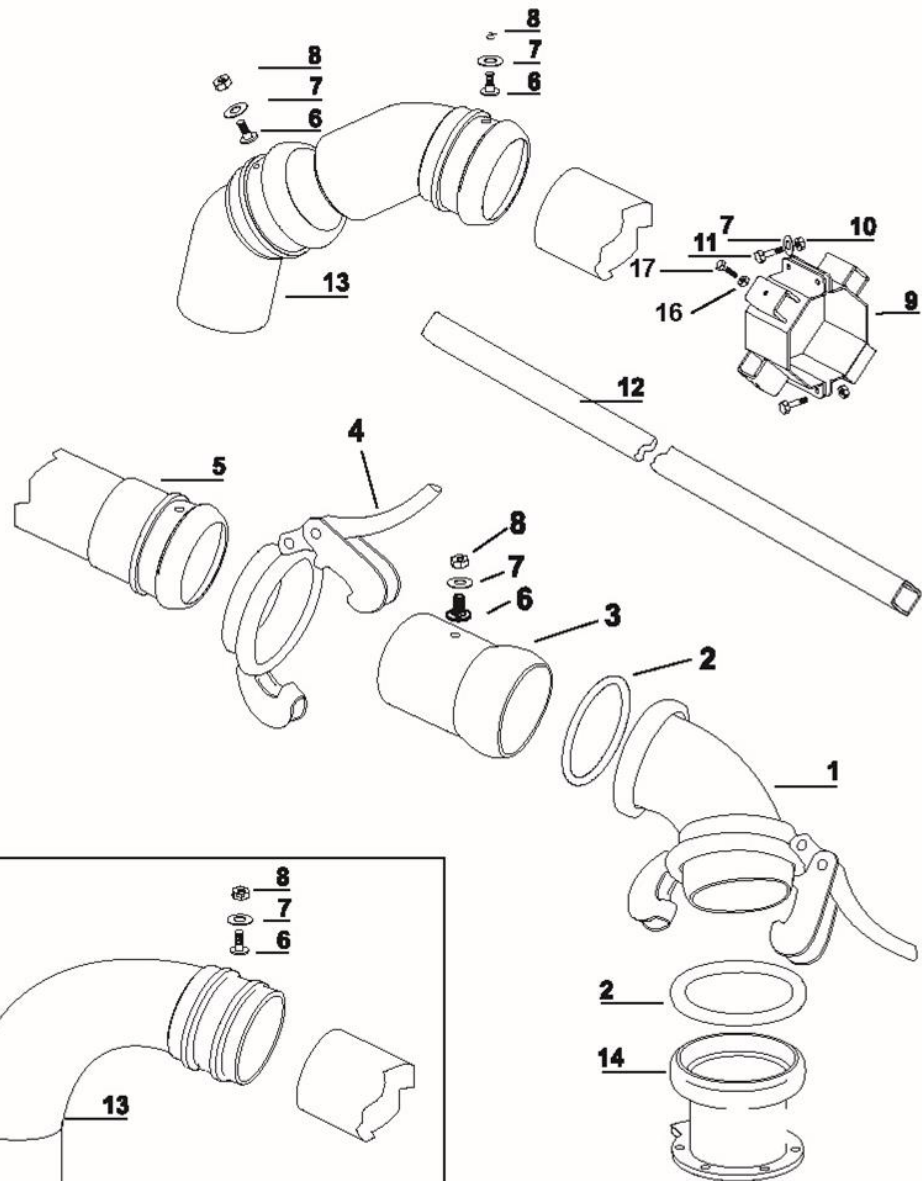
Spare parts catalogue

# DUUN

## Slurry pump SP400

6-8" loading system and rack for combi

Edition: 0703







Spare parts catalogue

**DUUN****Slurry pump SP400**

6-8" loading system and rack for combi

Edition: 0703

Pos.no.	Qty.	Designation	Article no.	Comment
<b>6"</b>				
1	1	Bauer coupling 6" male/female with 60' bend	1312020	
1	1	Bauerkobl. 6" male/female w/45' bend	1312021	
1	1	Bauerkobl. 6" male/female w/90' bend	1312022	
2	2	O-ring Ø159, included in bend	2957104	
3	1	Bauer coupling 6" male w/tube ø 159	2957105	
4	1	Clamp ring for bauer coupling	2957109	
5	1	Plastic tube PP 6" w/socket L: 4m	2244215	
6	3	Locking head screw M8x25 A4	2441246	
7	7	Washer M8 A4	2537047	
8	5	Hexagon nut M8 A4	2489409	
9	2	Loading tube rack	1312026	
10	4	Locking nut M8	2483609	
11	4	Hexagon screw M8x25 hot galvanized	2427246	
12	2	Legs for rack L=3m	1311899	
13	2	Plastic bend PP 45'	2245080	
14	1	Bauer 8" female, with flange	1312450	
16	2	Nut 6kt m12 hot galvanized 8.8	2481811	
17	2	Hexagon screw M12x35 hot galvanized 8.8	2427350	
<b>8"</b>				
1	1	Bauer coupling 8" male/female with 60' bend	1312453	
1	1	Bauerkobl. 8" male/female w/90' bend	1312454	
2	2	O-ring Ø200, included in bend	2957099	
3	1	Bauer coupling 8" male w/tube ø200	1312451	
4	1	Clamp ring for Bauer coupling 8"	2957183	
5	1	Plastic tube PP 8 w/socket L: 4m	2244218	
6	3	Locking head screw M8x25 A4	2441246	
7	7	Washer M8 A4	2537047	
8	5	Hexagon nut M8 A4	2489409	
9	2	Loading tube rack	1312470	
10	4	Locking nut M8	2483609	
11	4	Hexagon screw M8x25 hot galvanized	2427246	
12	2	Legs for rack L=4m	1312471	
13	2	Plastic bend 90'	2245087	
14	1	Bauer 8" female, with flange	1312452	
15	1	Diffuser	2245086	
16	2	Nut 6kt m12 hot galvanized.8.8	2481811	
17	2	Hexagon screw M12x35 hot galvanized.8.8	2427350	



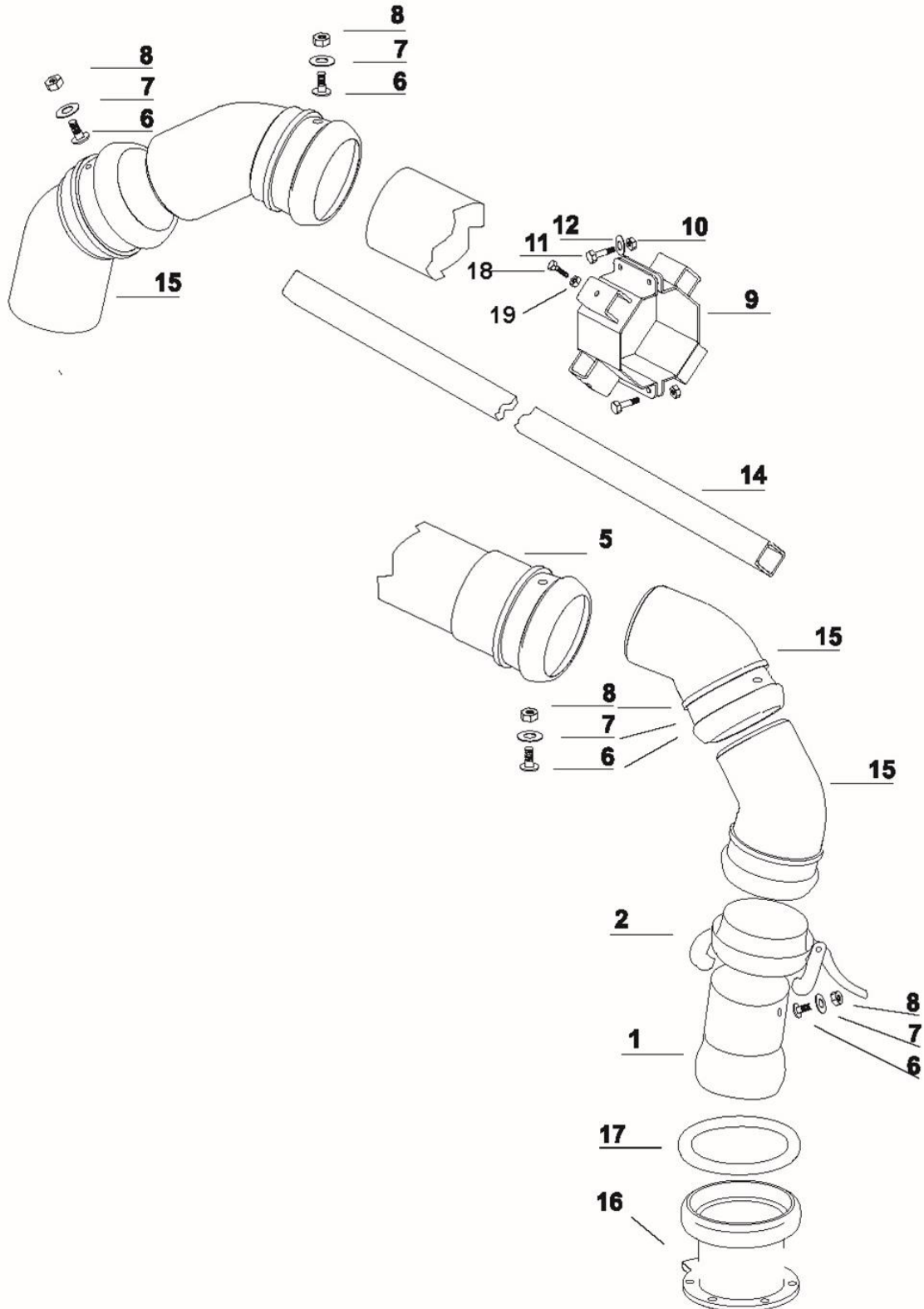
Spare parts catalogue

# DUUN

## Slurry pump SP400

6 inch loading system and rack for rod pump

Edition: 0703





Spare parts catalogue

# DUUN

## Slurry pump SP400

6 inch loading system and rack for rod pump

Edition: 0703

Pos.no.	Qty.	Designation	Article no.	Comment
1	1	Bauer coupling 6" male w/tube socket, ø 159	2957105	
2	1	Clamp ring for bauer coupling 6"	2957109	
5	1	Plastic tube PP 6" w/sleeve L: 4m	2244215	
6	5	Locking head screw M8x25 A4	2441246	
7	5	Washer M8 A4	2537047	
8	5	Hexagon nut M8 A4	2489409	
9	2	Loading tube rack	1312026	
10	4	Locking nut M8 galvanized	2483609	
11	6	Hexagon screw M8x25 hot galvanized	2427246	
12	4	Washer M8 hot galvanized	2539048	
13	4	Hexagon nut M8 hot galvanized	2481809	
14	2	Leg for rack L=3m	1311899	
15	4	Plastic bend PP 45°	2245080	
16	1	Bauer 6" female with flange	1312450	
17	1	O-ring Ø159	2957104	
18	2	Hexagon screw M12x35 hot galvanized 8.8	2427350	
19	2	Nut 6kt m12 hot galvanized.8.8	2481811	



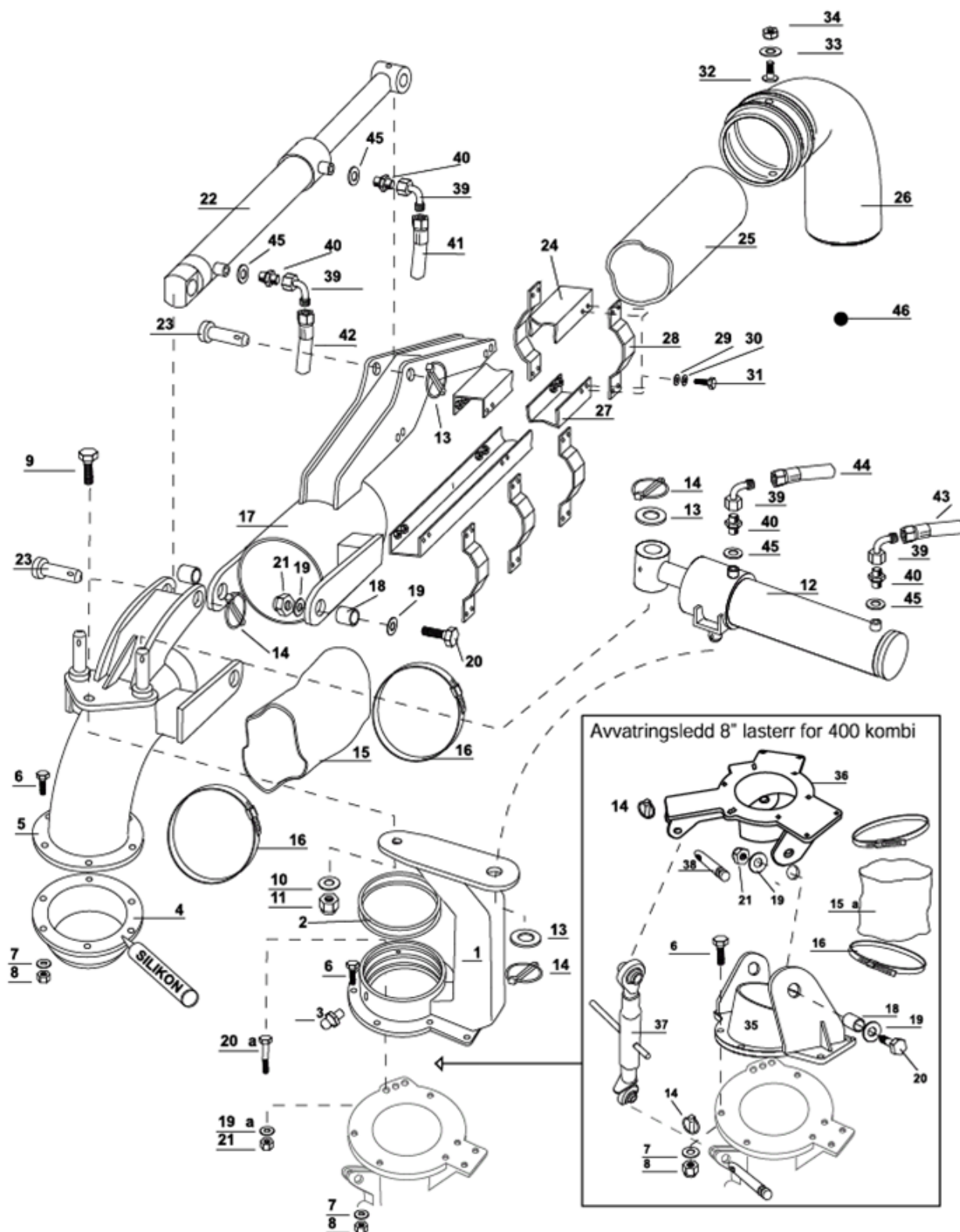
Spare parts catalogue

# DUUN

## Slurry pump SP400

8" combination pump loading system

Edition: 0703





Spare parts catalogue

**DUUN****Slurry pump SP400**

8" combination pump loading system

Edition: 0703

Pos.no.	Qty.	Designation	Article no.	Comment
1	1	Arm w/swivel for loading tube	1312494	
2	2	O-ring Ø189,9x7	2233190	
3	2	Grease nipple R 1/8"	2478410	
4	1	Inner tube on swivel	1312472	
5	1	Load tube bend	1312475	
6	6	Hexagon screw M12x50 8.8 galvanized	2422356	
7	6	Washer M12 8.8 galvanized	2481611	
8	6	Hexagon nut M12 8.8 galvanized	2481611	
9	1	Hexagon screw M20x60 8.8 galvanized	2422576	
10	1	Washer M20 8.8 galvanized	2531086	
11	1	Locking nut M20 galvanized	2483615	
12	1	Hydraulic cylinder swing, Ø70x200	1312280	p.78/79 compl
13	2	Washer Ø50/Ø31	1312283	w/hose
14	4	Cotter pin Ø10	2556142	
15	1	Plastic hose 8"	2244266	
16	2	Hose clamp PA-RI 210	2544280	
17	1	Transition hose/loading tube	1312476	
18	2	Sleeve	1312377	
19	4	Washer M16 hot galvanized	2539078	
20	2	Hexagon screw M16x60 hot galvanized	2427495	
21	2	Locking nut M16 galvanized	2483613	
22	1	Hydraulic cylinder for raising/lowering the loading tube	1312459	p.78/79 compl
23	2	Bolt lift cylinder loading tube	1312481	w/hose
24	1	Upper brace for tubes	1312479	
25	1	Loading tube PP L:400 Ø200	2244218	
26	1	45° bend PP Ø200	2245087	
27	1	Lower braces for tubes	1312480	
28	2	Tube clamps	1312478	
29	16	Washer M10 hot galvanized	2539060	
30	16	Lock washer M10 hot galvanized	2539000	
31	16	Hexagon screw M10x25 hot galvanized	2427297	
32	4	Locking head screw M8x25 A4	2441246	
33	4	Washer M8 A4	2537047	
34	4	Hexagon nut M8 A4	2489409	
35	1	Lower drainage part	1312566	
36	1	Upper drainage part	1312567	
37	1	Turnbuckle	2551710	
38	2	Lock bolt for turnbuckle Ø19x97	2526322	
39	4	Swivel nipple 90° BSP 1/4" ext. - 1/4" swivel	2957770	
40	4	Hexagon nipple BSP R3/8" ext. -R1/4" ext.	2957762	
41	1	Hydraulic hose 1/4" loading pipe up/down L=3,09m	2958129	
42	1	Hydraulic hose 1/4" loading pipe up/down L=2,68m	2958130	
43	1	Hydraulic hose 1/4" loading tube rotation L=1,77m	2958127	
44	1	Hydraulic hose 1/4" loading tube rotation L=1,68m	2958128	
45	2	Hydraulic seal 3/8" BSP	2957890	
46	1	Diffuser (optional)	2245086	



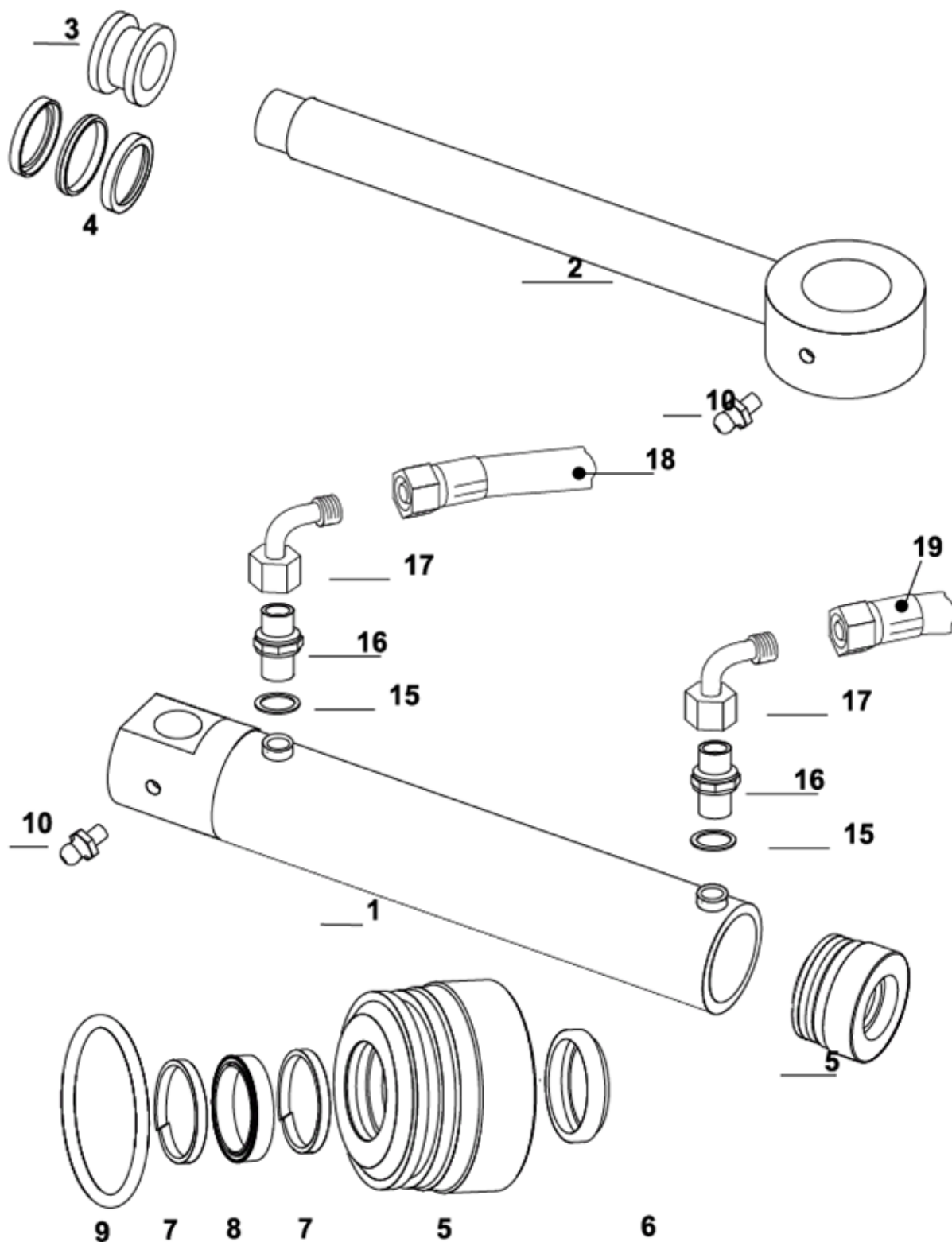
Spare parts catalogue

# DUUN

## Slurry pump SP400

Hydraulic combined loading system

Edition: 0703





Pos.no. Qty. Designation Article no. Comment

**Cylinder for bend loading tube**

1	1	Cylinder tube	1312281	
2	1	Piston rod	1312282	
3	1	Piston	1312455	
4	1	Compact seal SIMKO 320 70 - 58 -14 – 28	2234370	
5	1	Package box	1311925	
6	1	Wiper AUAS 32-45-7-10	2232832	
7	2	Guide band	1311927	
8	1	Compact seal KL310 32-42-8-10	2232135	
9	1	O-ring Ø70-5	2233065	
10	2	Grease nipple	2478410	
15	1	Hydraulic seal 3/8" BSP	2957890	
16	1	Hexagon nipple R3/8"-1/4" BSP	2957762	
17	1	Swivel nipple 90° BSP 1/4" ext. - 1/4" swivel	2957770	
18	1	Hydraulic hose 1/4" L-1,77	2958127	
19	1	Hydraulic hose 1/4" L-1,68	2958128	
		Complete hydraulic cylinder with hoses	1312280	

**Cylinder for raising/lowering Cylinder tube**

1	1	Cylinder tube	1312460	
2	1	Piston rod	1312461	
3	1	Piston	1312455	
4	1	Compact seal SIMKO 320 70 - 58 -14 – 28	2234370	
5	1	Package box	1311925	
6	1	Wiper AUAS 32-45-7-10	2232832	
7	2	Guide band	1311927	
8	1	Compact seal KL310 32-42-8-10	2232135	
9	1	O-ring Ø70-5	2233065	
10	2	Grease nipple	2478410	
15	1	Hydraulic seal 3/8" BSP	2957890	
16	1	Hexagon nipple R3/8"-1/4" BSP	2957762	
17	1	Swivel nipple 90° BSP 1/4" ext. - 1/4" swivel	2957770	
18	1	Hydraulic hose 1/4" L-2,68	2958130	
19	1	Hydraulic hose 1/4" L-3,09	2958129	
		Complete hydraulic cylinder with hoses		



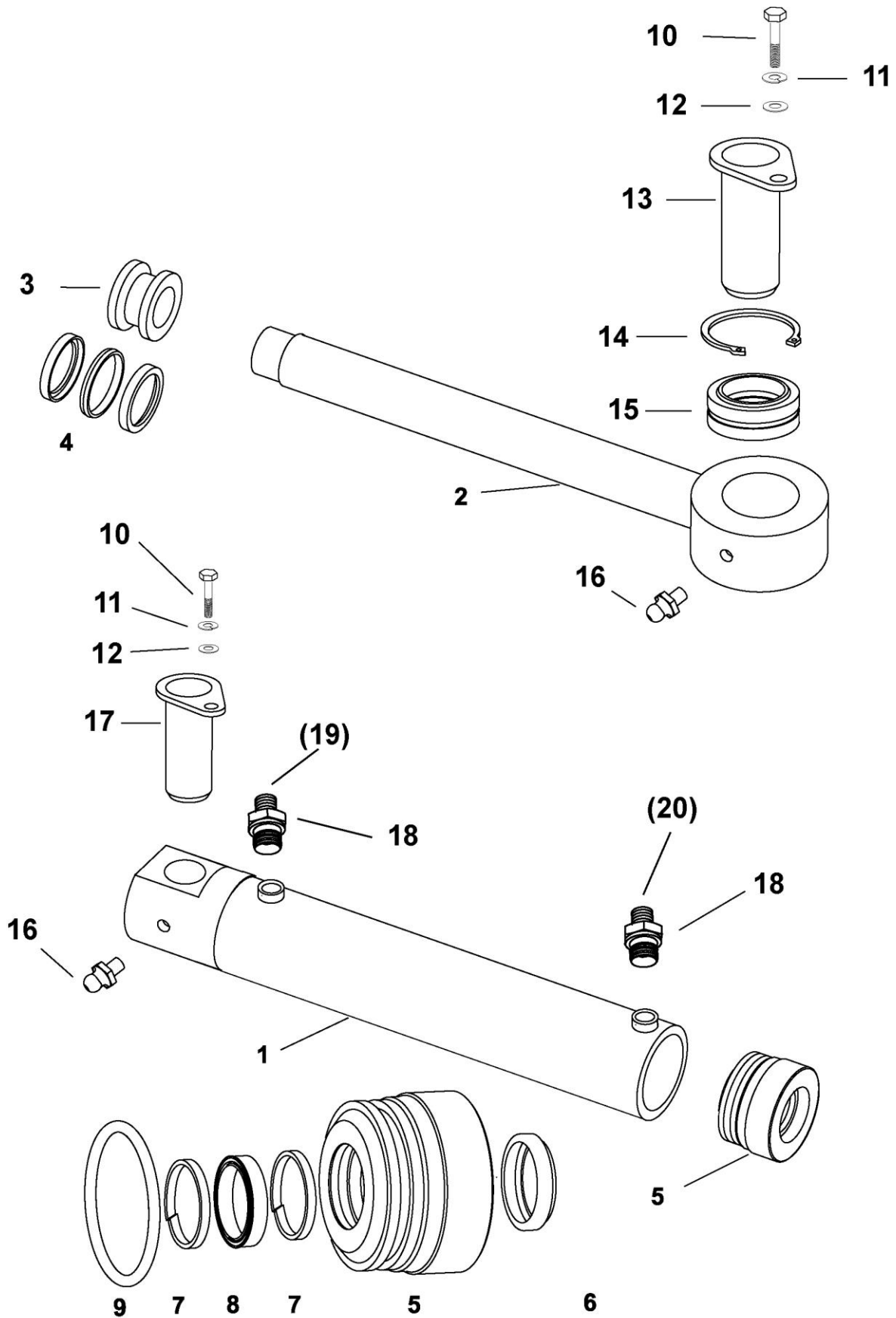
Spare parts catalogue

# DUUN

## Slurry pump SP400

Hydraulic cylinder

Edition: 01.01







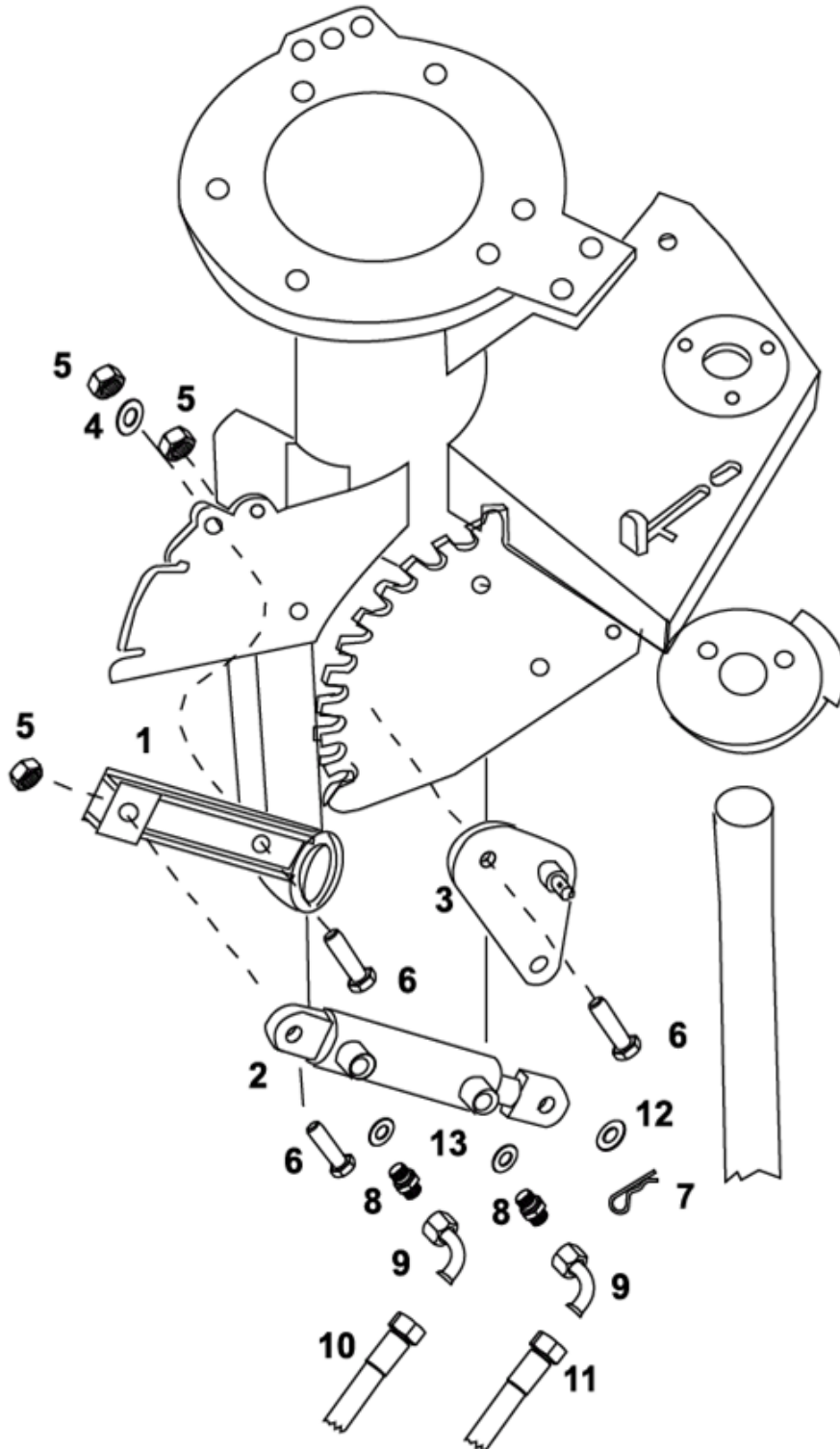
Spare parts catalogue

**DUUN****Slurry pump SP400**

Combined hydraulic lift

Edition: 0703

Pos.no.	Qty.	Designation	Article no.	Comment
1	1	Cylinder tube	1312362	
2	1	Piston rod	1312363	
3	1	Piston	1235153	
4	1	Compact seal SIMKO 320 80-66-16-32	2234360	
5	1	Packing box	1233197	
6	1	Wiper AUAS 40-50-7-10	2232833	
7	2	Guide band	1233153	
8	1	Compact seal KL310 40-48-8-9	2232137	
9	1	O-ring Ø72-5	2233070	
10	2	Hexagon screw M10x20 8.8 galvanized	2422295	
11	2	Spring washer M10 galvanized	2534060	
12	2	Washer M10 galvanized	2531060	
13	1	Bolt for cylinder strut with three-point linkage	1312365	
14	1	Seeger ring	2553262	
15	1	Spherical bearing GE 40 ES	2954140	
16	2	Grease nipple	2478410	
17	1	Bolt for cylinder/strut with adjustable attachment	1312366	
18	1	Hexagon nipple R3/8" 12mm	2957749	
19	1	Hydraulic hose L-2000	2958113	
20	1	Hydraulic hose L-2500	2958116	
		Complete hydraulic cylinder with hoses	1312364	





Spare parts catalogue

# DUUN

## Slurry pump SP400

Hydraulic loading and stirring

Edition: 0703

Pos.no.	Qty.	Designation	Article no.	Comment
1	1	Mounting bracket for cylinder 40x20x50	1312490	
2	1	Hydr. cylinder, stirring/loading 40x20x50	2955359	
3	1	Hydraulic control load/stirring	1312491	
4	1	Washer M16 hot galvanized	2539078	
5	2	Hexagon nut M16 lock. galvanized	2483613	
6	1	Hexagon screw M16x50 hot galvanized	2427493	
7	1	Cotter pin 4mm 10045	2528040	
8	2	Hexagon nipple BSP R3/8" ext.-R1/4" ext.	2957762	
9	2	Swivel nipple 90' BSP 1/4" ext. - 1/4" swivel	2957770	
10	1	Hydraulic hose 1/4" lasting/omrøring L=0,73m	2958131	
11	1	Hydraulic hose 1/4" lasting/omrøring L=0,90m	2958132	
12	1	Washer M16 hot galvanized	2539078	
13	4	Hydraulic seal 3/8"	2957890	



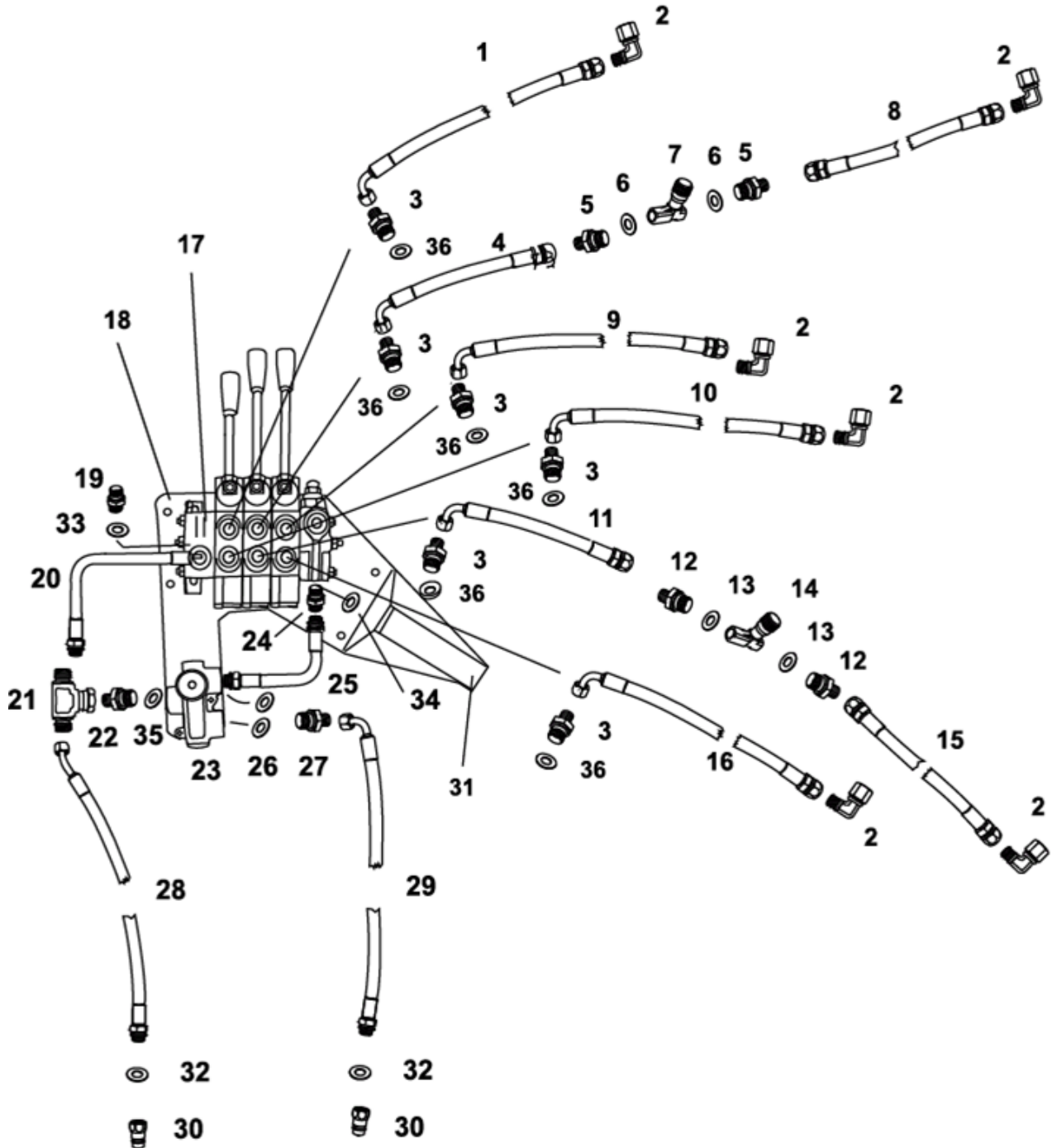
Spare parts catalogue

# DUUN

## Slurry pump SP400

Hydraulic parts stirring-loading + loading pipe  
upside down + 3 functions sideways

Edition: 0703





Spare parts catalogue

**DUUN**

**Slurry pump SP400**

	Hydraulic parts stirring-loading + loading pipe upside down + 3 functions sideways	Edition: 0703
--	--	---------------

Pos.no.	Qty.	Designation	Article no.	Comment
1	1	¼" Hydraulic hose R2T L-730mm	2958131	
2	6	Swivel nipple 90 BSP 1/4"-1/4"	2957770	
3	6	Hexagon nipple BSP 3/8ext.-1/4"ext.	2957761	
4	1	1/4" Hydraulic hose R2T L-300mm	2958125	
5	2	Hexagon nipple BSP 3/8ext.-1/4"ext.	2957761	
6	2	Hydraulic seal 3/8"	2957890	
7	1	Non-return / return valve 3/8	2955341	
8	1	1/4" Hydraulic hose R2T L-1780mm	2958127	
9	1	1/4" Hydraulic hose R2T L-2680mm	2958130	
10	1	1/4"hose R2T L-900mm	2958132	
11	1	1/4"hose R2T L-400mm.	2958126	
12	2	Hexagon nipple BSP 3/8ut-1/4"ext.	2957761	
13	2	Hydraulic seal 3/8"	2957890	
14	1	Non-return / return valve 3/8	2955341	
15	1	1/4" Hydraulic hose R2T L-2030mm	2958128	
16	1	1/4" Hydraulic hose R2T L-3090mm	2958129	
17	1	Directional valve with 3 man. valve	2955344	
18	1	Fixing plate hydraulic block SP400combi	1312634	
19	1	Hexagon nipple BSP 1/2"ext.-R1/2ext.	2957765	
20	1	½" Hydraulic hose R2T L2T L-330mm	2958141	from: 04001
20	1	3/8" Hydraulic hose R2T L-270mm	2958123	
21	1	T- hexagon nipple.BSPR1/2-R1/2-R1/2	2957767	from: 04001
21	1	T- hexagon nipple.BSPR3/8-R3/8-R3/8	2957764	excludes fom 04001
22	1	Hexagon nipple BSP 1/2"ext.-R3/8ext.	2957763	
23	1	Quantity control valve LHC 910 1/2	2955342	
24	1	Hexagon nipple BSP 1/2"ext.-R1/2ext.	2957765	
25	1	3/8" Hydraulic hose R2T L-370mm	2958124	
26	2	Hydraulic seal 1/2"	2957861	
27	1	Hexagon nipple BSP 1/2"ext.-R1/2ext.	2957765	from: 04001
27	1	Hexagon nipple BSP 1/2"ext.-R3/8ext.	2957763	excludes fom 04001
28	1	½" Hydraulic hose R2T L3840 45gr	2958142	from :04001
28	1	3/8" Hydraulic hose R2T L-3840 45gr	2958122	excludes fom 04001
29	1	½" Hydraulic hose R2T L-3840 90gr	2958121	
30	2	Quick coupling 1/2"ISO hanndel	2957860	
31	1	Fixing brackets hydraulic block	1312571	excludes fom 04001
32	4	Hydraulic seal 1/2"	2957861	
33	1	Hydraulic seal 1/2"	2957861	
34	1	Hydraulic seal 1/2"	2957861	
35	1	Hydraulic seal 1/2"	2957861	
36	6	Hydraulic seal 3/8"	2957890	
37	1	Non-return valve ½	2955332	
38	1	Hexagon nipple BSP 1/2"ext.-R1/2ext.	2957765	



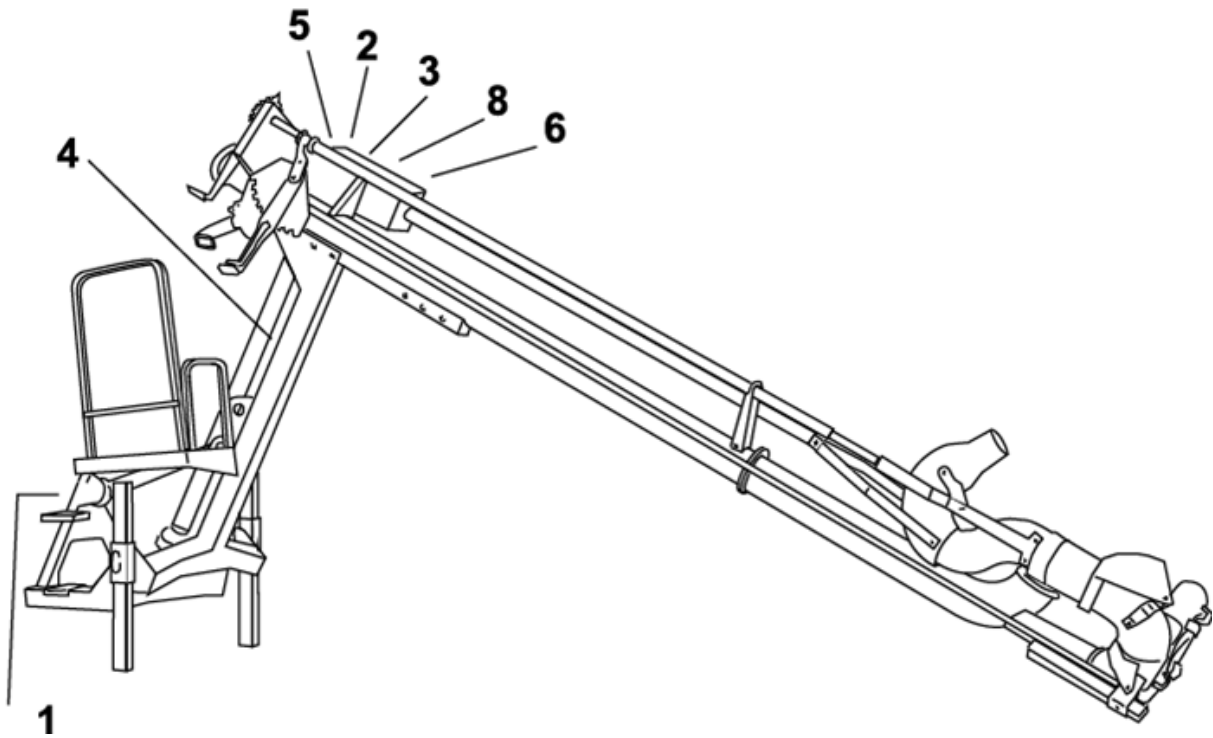
Spare parts catalogue

# DUUN

## Slurry pump SP400

Stickers

Edition: 0703





Spare parts catalogue

**DUUN**

**Slurry pump SP400**

	Stickers	Edition: 0703
--	----------	---------------

Pos.no.	Qty.	Designation	Article no.	Comment
1	1	Crush hazard of tractor	2935069	
2	1	540 RPM	2935061	
3	1	Read instruction manual	2935064	
4	1	Hearing protection	2935067	
5	1	Danger of hanging loads	2935066	
6	1	CE-mark	2935063	
7	1	Hot surfaces	2935085	
8	1	Gearbox maintenance	2935054	